



**UTX, YOUR TRUSTED PARTNER IN  
SHALLOW DREDGING EQUIPMENT**

# AT 400 / AT 400PS



CERT NO: TUV100 01 2043  
ISO 9001: 2015



**ULTRATREX MACHINERY SDN BHD**

TEL : +607- 355 7777  
FAX : +607- 351 0229  
MOBILE : +6016- 772 0584  
EMAIL : info@ultratrex.com.my

**WWW.AMPHIBIOUSEXCAVATOR.COM**

An amphibious excavator that can travel and work safely and effectively on soft terrain such as swamp, wet land and shallow water. The well designed amphibious hydraulic undercarriage has ultra-low ground pressure and unparalleled mobility to work on soft terrains and swamps area.

We manufacture amphibious hydraulic undercarriages for excavator ranging from 5 to 50 ton excavators.

Ultratrex Amphibious Excavator has well proven itself to work effectively on the following applications:

- Swamp land clearing at mining area, plantation and forest.
- Deepening of canal, river channel & river mouth.
- Building bund for flood prevention & land reclamation.
- Building bund wall for fish & shrimp ponds & salt making industry.
- Sludge clearing of lakes, ponds & water reservoir.
- Digging trenches for oil & gas piping installation.
- Transporting & clearing landslide & flood hit area.
- Swamps and wetlands construction.
- Road construction through wetlands.

Ultratrex AT 400PS amphibious hydraulic undercarriage technical specification:

1. Amphibious undercarriage hydrostatic drive.

Brand: DOOSAN.

Type: Hydrostatic drive with integrated hydraulic 2 speed motors.

Working pressure: 350kgf/cm<sup>2</sup>.

Output torque: 3488kgfm

2. Amphibious undercarriage construction: Anti corrosion steel plate,  
Material code: SMA 490.

Each amphibious undercarriage is equipped with 3 independent water tight compartments.

The bottom of amphibious undercarriage is reinforced.

3. Track Chains

Triple strands track chain per amphibious undercarriage. Pitch: 152.4mm.

The track chain rollers are running on Hardox 400, 10mm thickness wear plates.

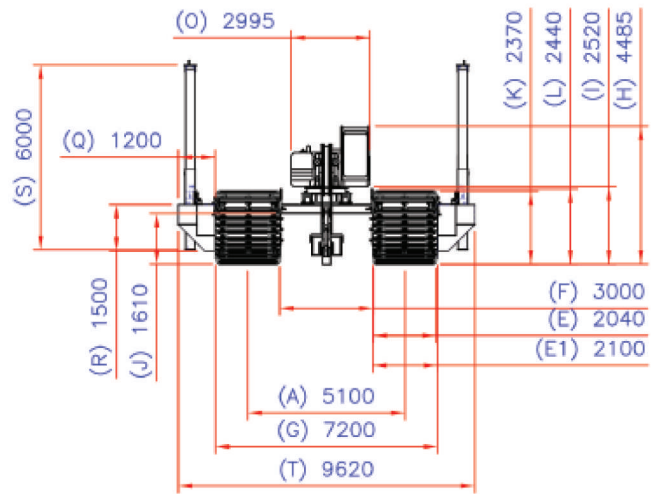
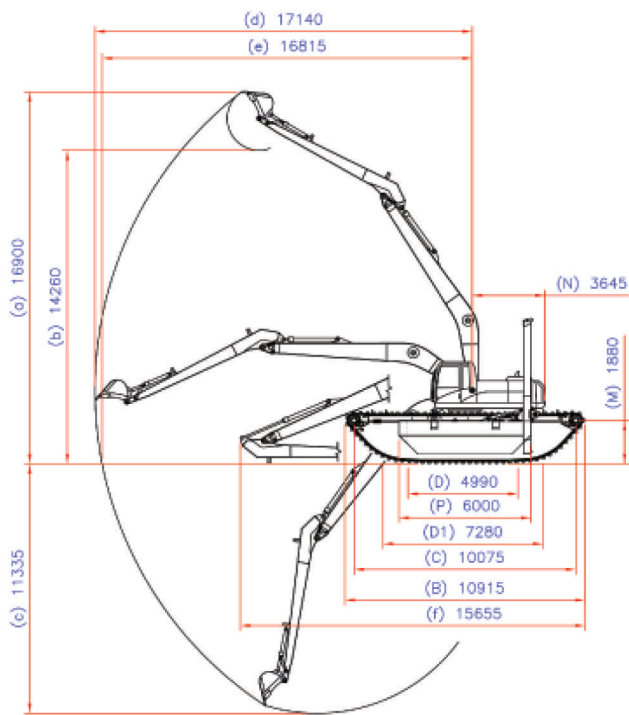
4. Gradeability: 30 degree.

5. Operating weight

58 tons. (Including hydraulic excavator upper body and 17 meter Long Reach Arm).

6. Warranty

10,000 hours warranty on the UHMWPE (Ultra-High-Molecular-Weight Polyethylene) track plates against cracks.



ITEM		UNIT	VALUE
BASE MACHINE		40 TON EXCAVATOR	
TOTAL WEIGHT	WITHOUT SIDE PONTOON	Kg	58000
FLOAT CAPACITY		m <sup>3</sup>	72
FLOAT CAPACITY/TOTAL WEIGHT		M <sup>3</sup> /ton	1.24
MAXIMUM TORQUE		kgf-m	3480
GROUND PRESSURE		KG/cm <sup>2</sup>	0.15
TRAVEL SPEED	HI	km/h	3.2
	LO	km/h	1.8
MAXIMUM GRADIENT		o	30
WORK EQUIPMENT	BOOM LENGTH	mm	9727
	ARM LENGTH	mm	6650
	BUCKET CAPACITY	m <sup>3</sup>	1.1
WORKING RANGE	a. MAX. DIGGING HEIGHT	mm	16900
	b. MAX. DUMPING HEIGHT	mm	14260
	c. MAX. DIGGING DEPTH	mm	11335
	d. MAX. DIGGING REACH	mm	17140
	e. MAX DIGGING REACH ON GROUND	mm	16815
	f. TOTAL LENGHT DURING PARKING	mm	15655
DIMENSIONS	A. TRACK GAUGE	mm	5100
	B. TRACK LENGTH	mm	10915
	C. DISTANCE BETWEEN IDLER & SPROCKET	mm	10075
	D. TRACK LENGTH ON HARD GROUND	mm	4990
	D1. TRACK LENGTH ON SOFT GROUND	mm	7280
	E. WIDTH TRACK SHOE	mm	2040
	E1. WIDTH FLOAT	mm	2100
	F. DISTANCE BETWEEN SHOE INSIDE	mm	3000
	G. OVERALL MACHINE WIDTH	mm	7200
	H. OVERALL MACHINE HEIGHT	mm	4485
	I. GROUND CLEARANCE (COUNTERWEIGHT)	mm	2520
	J. MIN. GROUND CLEARANCE	mm	1610
	K. SHOE SETTING HEIGHT	mm	2370
	L. CRAWLER HEIGHT	mm	2440
	M. WATER LINE HEIGHT	mm	1880
	N. MIN SWING RADIUS	mm	3645
O. CABIN WIDTH	mm	2995	
ADDITIONAL DIMENSIONS (SIDE PONTOON)	P. SIDE PONTOON LENGHT	mm	6000
	Q. SIDE PONTOON WIDTH	mm	1200
	R. SIDE PONTOON HEIGHT	mm	1500
	S. SPUD LENGHT	mm	6000
	T. OVERALL MACHINE WIDTH	mm	9620

## Technical Dimension

\*\*Dimension Are Based On 17m Long Reach Arm & 1.1m<sup>3</sup> GP Bucket.

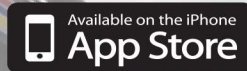
\*\*Specification Are Subject To Change Without Prior Noticed.





# UTX, YOUR TRUSTED PARTNER IN SHALLOW DREDGING EQUIPMENT

Plo 229, Jalan Kencana Mas 2,  
Kawasan Perindustrian Tebrau 3,  
81100 Johor Bahru, Johor, Malaysia.



CERT NO: TUV100 01 2043  
ISO 9001: 2015



ULTRATREX MACHINERY SDN BHD

TEL : +607- 355 7777  
FAX : +607- 351 0229  
MOBILE : +6016- 772 0584  
EMAIL : info@ultratrex.com.my

WWW.AMPHIBIOUSEXCAVATOR.COM