



**HAMMER**

**OUR PASSION**  
**ALWAYS**  
**AT YOUR**  
**SERVICE**

**CATALOG 2023**





# About Hammer

*Our History*

Demolition  
Excavation  
Material handling  
Recycling

# Skills and passion that give rise to history!

In 1970, Mr. Giovanni Modugno began his career as a worker in a small mechanic turnery workshop in Molfetta and, since that year, so much has been done.

After being a factory worker first, production and factory manager then, in 1989 he started, with other partners, a hydraulic breakers company, until 2004. In the same year, he decides to found, together with his son Valerio, a family company for design, production and sale of hydraulic breakers, which takes the name "Hammer".

The values of a family company have allowed Hammer to establish itself on the global market through 10 branches spread across the continents and a capillary network of dealers and authorized workshops throughout the world.



# 100% Made in Italy

Hammer guarantees a 100% Made in Italy product of the highest quality, entirely designed and manufactured in the 10 plants (an area of 60000 m<sup>2</sup>) located in the Industrial Area of Molfetta (BA). Hammer begins with the design, production and sale of small and medium-sized hydraulic breakers, in addition to the sale of multi-brand spare parts.

Then comes the introduction of the first samples of demolition shears, which paved the way in the field of demolition and recycling; later, Hammer decides to expand the range of hydraulic breakers, up to the FX 15000 model which, with a weight of 14500 kg, becomes the largest hydraulic breaker in the world.

After the huge success achieved in this segment, Hammer introduces the SB series that benefits from the particular monoblock construction. This feature gives the structure a very high resistance to leverage efforts. The breakers, as "monobloc" suggests, has only one piece and there are no side bolts and diaphragms.

It is the turn, then, of the grapple line, with the GR series with 3 different types of jaws, depending on the needs.

The demolition segment is then widened with the FP series (static hydraulic crusher for secondary demolition), the FR series (rotary hydraulic crusher for primary and secondary demolition) and finally the brand new FRK and FPK series.

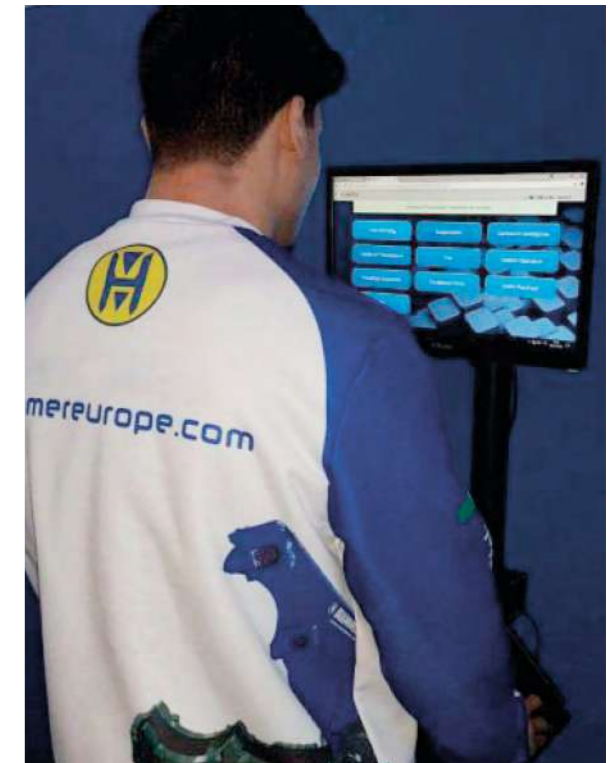


# Research and development

Our work is based on research and continuous innovation. In our 10 factories in Molfetta there are:

- an equipped workshop with 70 high-productivity CNC machines;
- the grinding and testing department, where we make sure that the various components of our products are flawless;
- the carpentry department, equipped with 10 latest generation plasma cuttings, 5 robot welding stations and 2 robot stations for assembly;
- the assembly department, in which our qualified and constantly trained staff assembles the whole Hammer line;
- a large spare parts warehouse that, thanks to the 12 vertical automated modules, allows us to speed up and optimize the assembly of our range and to increase the storage area of 8000 m<sup>2</sup>.

We always look for new solutions and innovations on existing products to offer our customers always the best in the market.



# Product overview

Hammer offers the right equipment for every need



**SB**

HYDRAULIC  
BREAKERS

Pages 16-17



**FX**

HYDRAULIC  
BREAKERS

Pages 18-21



**X**

EARTH  
DRILLS

Pages 22-25



**FRK**

DEMOLITION  
ROTATING  
PULVERIZERS

Pages 26-27



**FPK**

STATIC  
PULVERIZERS

Pages 28-29



**MCK**

CONCRETE  
CRUSHERS

Pages 30-37



**FR**

ROTATING  
PULVERIZERS

Pages 38-39



**FP**

STATIC  
PULVERIZERS

Pages 40-41



**KSC**

SCRAP  
SHEARS

Pages 42-43



**P**

ORANGE  
PEEL GRABS

Pages 44-55



**RC**

MOBILE RAIL  
CUTTER

Pages 56-57



# Strength and efficiency

The hydraulic breaker is mainly used in earth-moving and mining industries, where components are subjected to high levels of stress, working mostly in difficult situations.

To make hydraulic breakers increasingly reliable and to guarantee both performance and power, Hammer has introduced the SB and FX lines, obtained thanks to in-depth R&D carried out throughout the years.

For the production of this equipment, top-quality alloy steels are used and the best heat treatment techniques developed.

The research and studies carried out have allowed us to obtain important results in terms of the technological and mechanical characteristics of the steels.

At the same time, studies were carried out in collaboration with the main producers of hydraulic seals (Trelleborg, Freudenberg, Nok).

Over the years we have therefore improved both quality and type of the materials used to reach the appropriate ratio between different speeds, pressures and temperatures, thus increasing durability.



# We're always ready for challenges

Breakers of both SB and FX series are "nitrogen" breakers. Hammer, thanks to its experience, followed this path in order to obtain high power distributed over a higher number of blows per minute, thus resisting high counterpressures (up to 30 bar).

The breaker is also very compactly structured hence reducing stress on the excavator's arm and ensure greater durability of both the breaker and its components.

- The SB and FX hydraulic breakers can work on any type of excavator and on any single-acting hydraulic system; they are also suitable for hydraulic systems with high back pressure

- Hammer Breakers are equipped with special polyurethane shock absorbers that absorb vibrations, thus protecting the arm of the excavator and also reducing noise emissions, according to the requirements of directive 2000/14 / EC

While the SB series is suitable for carriers, mini excavators, miniblades, backhoe loaders, demolition robots. etc., the FX series is suitable for crawler and wheeled excavators of medium and large size.

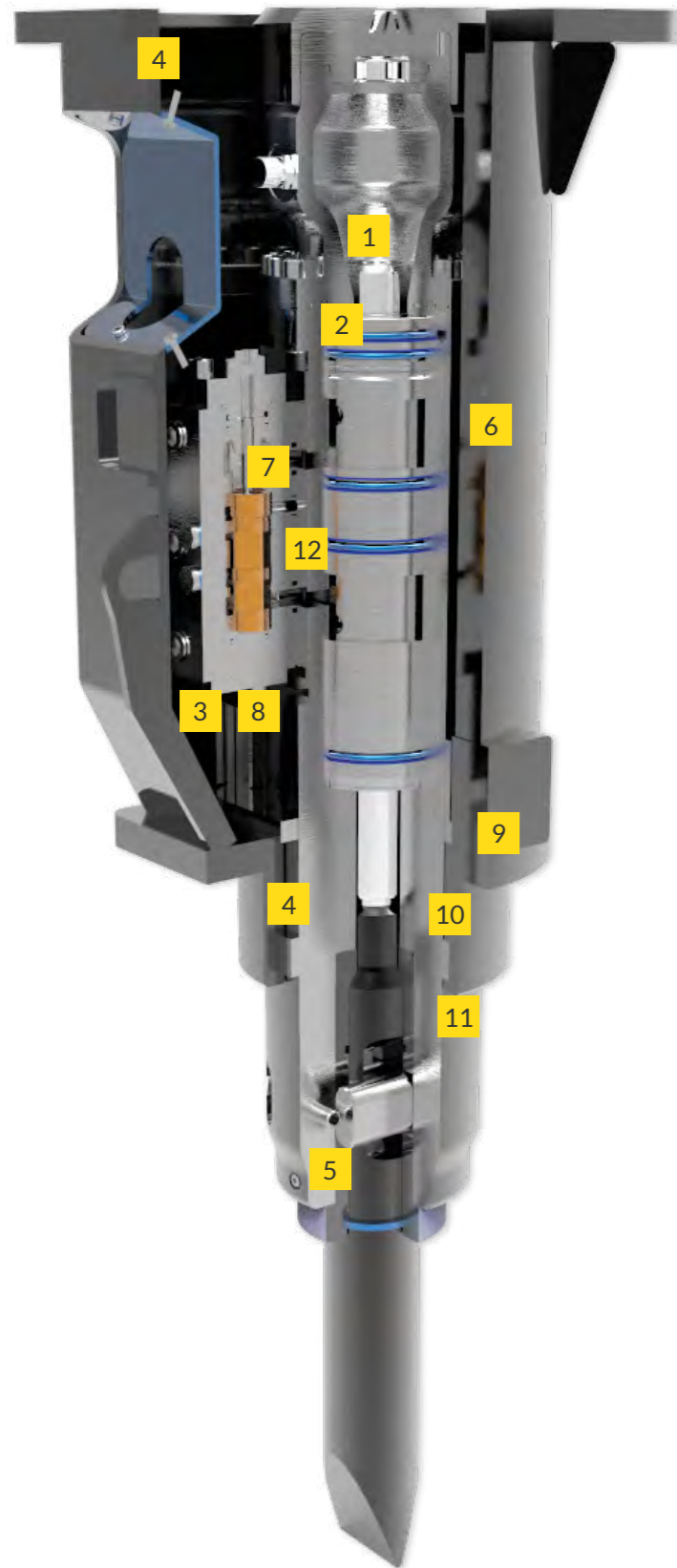
# Application overview

			SB	FX 700-1900	FX 2200-15000
<p><b>Mining &amp; Quarrying</b></p>	Preliminary works	Overburden removal	★	★	★
		Bench, road & ramp leveling	★	★	★
		Roof, face & rib scaling	★	★	★
	Secondary breaking	Boulder reduction in rock pile	★	★	★
		Removing blockages at crushing systems	★	★	★
	Primary rock breaking	Selective rock breaking	☆	★	★
		Blast-free mining	☆	★	★
<p><b>Demolition &amp; Renovation</b></p>	Masonry structures	Brickwork	★	★	☆
		Natural stone	★	★	☆
		Autoclaved aerated concrete	★	★	★
	Concrete structures	Lightweight concrete	★	★	★
		Standard concrete	★	★	★
		Heavyweight concrete	☆	★	★
	Composite steel & concrete structures	Steel-reinforced concrete	★	★	★
		Prestressed concrete	★	★	★
		Fiber-reinforced concrete	★	★	★
	Pavements	Asphalt	★	★	★
		Concrete	★	★	★
		Composite surfaces	★	★	★
<p><b>Construction</b></p>	Earthworks	Trenching	★	★	★
		Pit building	★	★	★
		Ground excavation	★	★	★
	Tunneling	Tunnel driving	★	★	★
		Roof, face & rib scaling	★	★	★
		Floor leveling	★	★	★
	Dredging	Canal deepening & extension	★	★	★
	Dock deepening & extension	★	★	★	
	Gardening & Landscaping	Fencing	★	★	★
		Ground excavation	★	★	★
		Rock breaking	★	★	★
	Foundation works	Ground leveling	☆	★	★
	Building construction	Foundation pile driving	☆	★	★
<p><b>Metallurgical Industry</b></p>	Slag recycling	Boulder reduction in slag heap	★	★	★
		Removing blockages at crushing systems	★	★	★
	Cleaning & debricking	Ladles	★	★	★
		Converter mouths	★	★	★
		Kilns	★	★	★

Optimal
 Suitable
 Unsuitable

## BREAK IN A SMART WAY

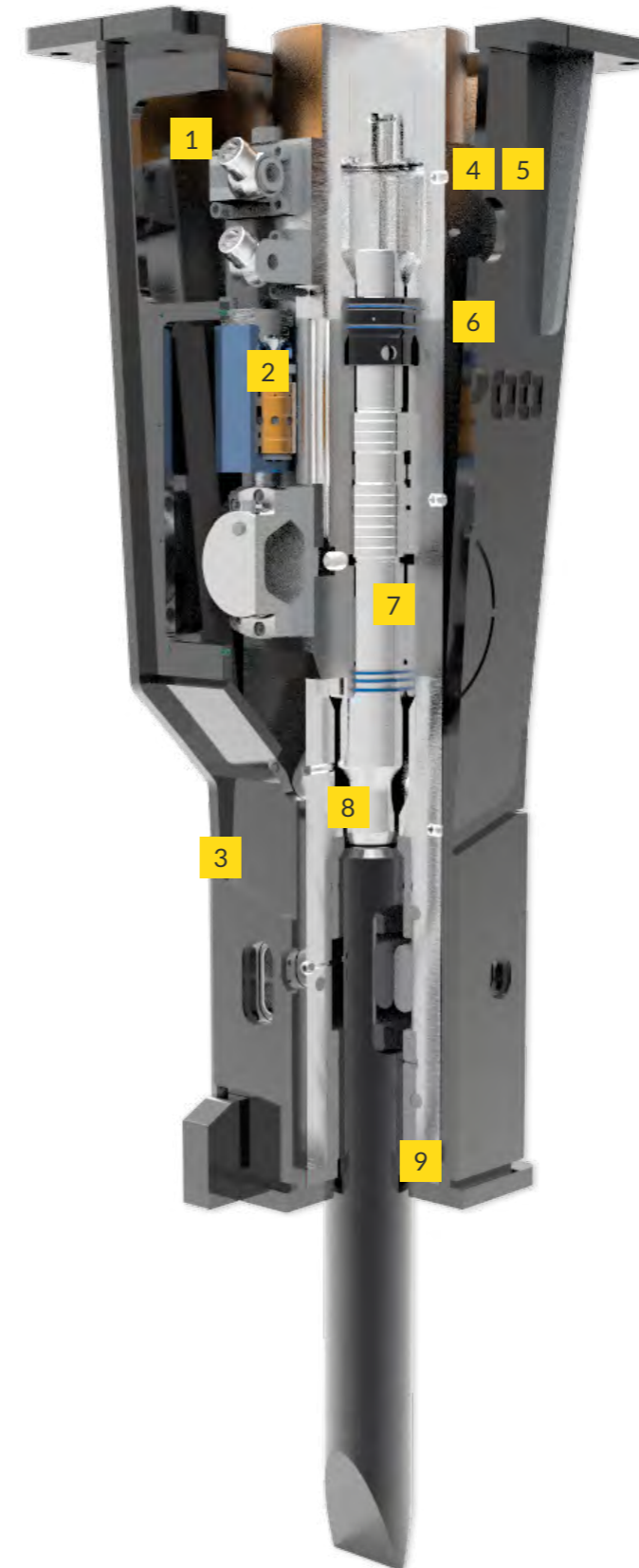
### Monobloc hydraulic breaker without tie rods and diaphragm



- 1 More power, less vibration and maintenance. The SB breakers work with inertial nitrogen energy recovery, thus obtaining more power (more than 30%) and less vibration thanks to the nitrogen chamber that reduces maintenance costs, since it has no diaphragm.
- 2 Long lasting nitrogen charge. In the past, energy recovery breakers required frequent nitrogen refills; with the new sealing system and the new compound developed by Freudenberg they are able to guarantee a gas tightness equal to 300% more than in the past.
- 3 Protected tubes. The tubes are completely protected through the casing and they're suitable for every type of excavation, especially in narrow spaces.
- 4 The particular design, with a closed box casing as well as the addition of sound-absorbing material, allowed the breaker to have very low noise levels
- 5 Double retainer pin. The tool-locking system with a double retainer pin allows adequate and uniform wear of the same and ensures longer maintenance intervals for the whole locking system.
- 6 Monobloc body without tie rods. The entire SB series benefits from the particular monoblock construction; this feature gives the structure a very high resistance to leverage, during work. The breaker is built in one only piece and it is without tie rods, thus obtaining greater production and less maintenance as a result.
- 7 Only two moving parts.
- 8 For all types of installations (pressurization). The SB series tolerates high back pressure, and it has a wide calibration range of the required oil flow, in order to make the installation easier.
- 9 The piston moves in a single interchangeable cylinder liner that keeps the main body intact and that is easy to replace in case of necessity.
- 10 The piston is built with a special geometry as to keep a constant energy of impact, and to reduce damage in any critical condition.
- 11 Visibility and versatility. The models of the SB series, with their tapered shape, provide the operator with an excellent view during the work and allow to operate close to the walls, both in narrow and wide spaces.
- 12 Hydraulic system for blank firings. The hydraulic system creates a regenerative oil circuit that preserves the breaker from blank firings when the tool is not in contact with the rock.

## EFFICIENCY BECOMES POWER

### Hammer Hydraulic Breakers



- 1 Tubes with swivels. Tubes with swivels are fully protected from any misuse and, resistant to vibrations.
- 2 Operating pressure regulation. For the FX series (FX950-15000), it is possible to adjust the working pressure with a manual valve located frontally on the distribution box.
- 3 Anti-dust and underwater work setup. You can prevent the entry of dust and water into the breaker by blowing air into the proper hole in the front part of the breaker, with a pressure of not less than 10 bar.
- 4 Automatic hydraulic greasing device (optional, mounted on the breaker). The Beka-Lube automatic lubrication system optimizes the lubrication procedure and reduces maintenance and downtimes
- 5 Automatic hydraulic greasing device with exclusive Hammer electric control (optional, mounted on the excavator). Innovative electric system with automatic grease distribution, less liable to vibration breakages thanks to its tank of grease with a capacity of 4 kg or 8 kg, making thus the system cheaper than all the other devices with single cartridges.
- 6 Manual blows adjustment. For the FX series (FX950-FX15000), the regulation of the blows is carried out manually by a valve located on the side of the breaker.
- 7 Hydraulic system for blank firings. The hydraulic system creates a regenerative oil circuit that preserves the breaker from blank firings when the tool is not in contact with the rock.
- 8 The piston is built with a special geometry as to keep a constant energy of impact, and to reduce damage in any critical condition.
- 9 Anti-dust system for tunnels (optional). The anti-dust system consists of a dustproof seal addition mounted in the lower bush to avoid the entry of impurities into the circuit. FX series breakers are suitable for secondary demolition work, excavations in quarry, work in urban areas, tunnels, pipelines, and railway tunnels and, concerning the biggest models, demolitions in open pit mining.



# Hammer Lube

HAMMER LUBE is the result of intense cooperation between the Engineering Departments of Hammer and Meyerlub, both specialists in advanced technology. Hammer Grease is totally different from any other breaker's grease or oil.

- It is based on special synthetic components, with a strong affinity to metal surfaces due to their "polar" nature. This offers superior lubricating film strength, even in the most adverse operating conditions.
- Its physical characteristics perfectly match the Hammer lubricant supply systems (on-board Greasing Stations and Easy-Lub equipment)

### HAMMER GREASE KEEPS ITS PROMISES!

- Total protection from friction, wear and scuffing, thanks to the exceptional film strength and metal affinity
- Complete and uniform distribution of lubricant on the whole surface, for a complete protection from wear and seizing
- Cost saving: highly efficient lubrication ensures complete protection, reducing drastically maintenance, spares and downtime costs. The exclusive and "state of the art" performance of Hammer Grease optimizes lubrication efficiency and significantly reduces lubricant's over-consumption and relevant costs.

### CONSIDER THE DIFFERENCE

Hammer breakers, rolling bearings and machinery pins have very different engineering features; therefore lubrication requirements change accordingly. Hammer lube is a tailor-made product, thought intentionally for hydraulic breakers.

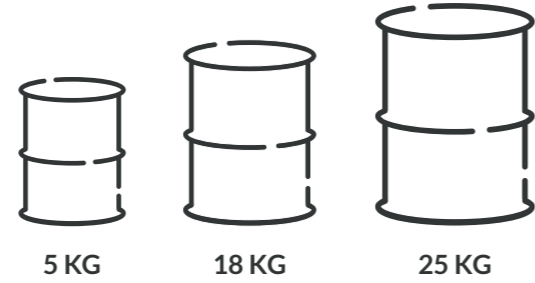
### WHY IS CORRECT LUBRICATION SO IMPORTANT?

Hammer breakers operate at high frequencies under heavy loads, involving high thermal and mechanical stress. Inadequate lubricants generate excessive wear and deposits.

### BREAKER LIFE SPAN, EFFICIENCY, AND RELIABILITY MAY BE SERIOUSLY AFFECTED.

Proper breaker lubrication is the combination of:

- Appropriate lubricating system design.
- Appropriate lubricant structure and composition.
- Perfect tuning between lubricant and application system.



# Product Series

Discover all our series



# HYDRAULIC BREAKERS WITHOUT TIE RODS

for excavators from 0.5 to 14 ton



Find out more

## Break in a smart way

- More power / less vibrations and maintenance
- Long lasting nitrogen charge
- Protected tubes
- Silenced body
- Monobloc body without tie rods
- Double retainer pin
- Only two moving parts
- For all types of installations
- Visibility and versatility



**MOIL POINT**  
Suitable for concrete, medium-hard and not layered rocks.



**BLUNT TOOL**  
Suitable for reinforced concrete and very compact rocks.



**ASPHALT CUTTER**  
Suitable for cutting asphalt.

**SB55**



**PYRAMID TOOL**  
Suitable for reinforced concrete and very compact rocks.



**CHISEL TOOL**  
Suitable for medium-hard and layered rocks.



**PILE DRIVER**  
Suitable for planting wooden or concrete poles.



**WOOD CUTTER TOOL**  
Suitable for cutting all types of wood.

## SB SERIES

### Application Fields



Mining & Quarrying



Demolition & Renovation



Construction



Metallurgical Industry



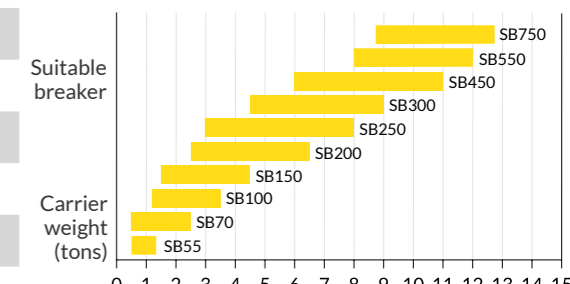
Recycling

### TECHNICAL DRAWINGS



Models	SB55	SB70	SB100	SB150	SB200	SB250	Models	SB300	NEW SB450	NEW SB550	NEW SB750	
Carrier weight	t	0.5-1.4	0.5-1.6	1.2-2.5	1.5-3.8	2.5-5	Carrier weight	t	4.5-8.5	6-10	8-12.5	8-14
Weight	kg	60	70	100	135	190	Weight	kg	300	470	520	700
Body height (a)	mm	583	583	666	666	869	Body height (a)	mm	904	1135	1135	1310
Tool height (b)	mm	200	228	255	255	275	Tool height (b)	mm	295	378	431	430
Tool diameter	mm	40	40	45	48	55	Tool diameter	mm	75	80	90	95
Required oil supply	l/min	15-20	18-23	20-30	22-40	25-55	Required oil supply	l/min	50-70	65-90	70-95	70-100
Oil hammer pressure	bar	110	110	110	110	130	Oil hammer pressure	bar	160	160	160	160
Blows per minute	/min	800-1700	800-1750	800-2300	800-2000	900-1900	Blows per minute	/min	600-1500	600-1300	600-1300	600-900
Energy per blow	j	250	280	400	580	750	Energy per blow	j	1200	1700	2300	2000
Max. Back pressure	bar	30	30	30	30	30	Max. Back pressure	bar	30	30	30	25
Inner diam. in hose	inch	1/2"	1/2"	1/2"	1/2"	1/2"	Inner diam. in hose	inch	3/4"	3/4"	3/4"	3/4"
Inner diam. out hose	inch	1/2"	1/2"	1/2"	1/2"	1/2"	Inner diam. out hose	inch	3/4"	3/4"	3/4"	3/4"

### EXCAVATOR OPTIMAL RANGE



\*All illustrations and numerical data in this catalog are purely indicative and subject to change at our discretion and without notice. We therefore reserve the right to modify them with a view to improving and continuously developing our product.

# HAMMER HYDRAULIC BREAKERS

for excavators from 8 to 200 ton

## Efficiency becomes power

- Tubes with swivels fully protected
- Operating pressure adjustment
- Anti-dust and underwater work setup
- Automatic hydraulic greasing device
- Hydraulic system for blank firings
- Manual blow adjustment
- Anti-dust system for tunnels



Find out more



### MOIL POINT

Suitable for concrete, medium-hard and not layered rocks.



### PYRAMID TOOL

Suitable for reinforced concrete and very compact rocks.



### BLUNT TOOL

Suitable for reinforced concrete and very compact rocks.



### COBRA TOOL

Suitable for quarry works, such as primary demolition and reduction of stone blocks.



### CHISEL TOOL

Suitable for medium-hard and layered rocks.



### AUTOMATIC HYDRAULIC GREASING DEVICE

(Optional, mounted on the breaker)  
The Beka-Lube automatic lubrication system optimizes the lubrication procedure and reduces maintenance and downtimes.

## FX SERIES

### Application Fields



Mining & Quarrying



Demolition & Renovation



Construction



Metallurgical Industry



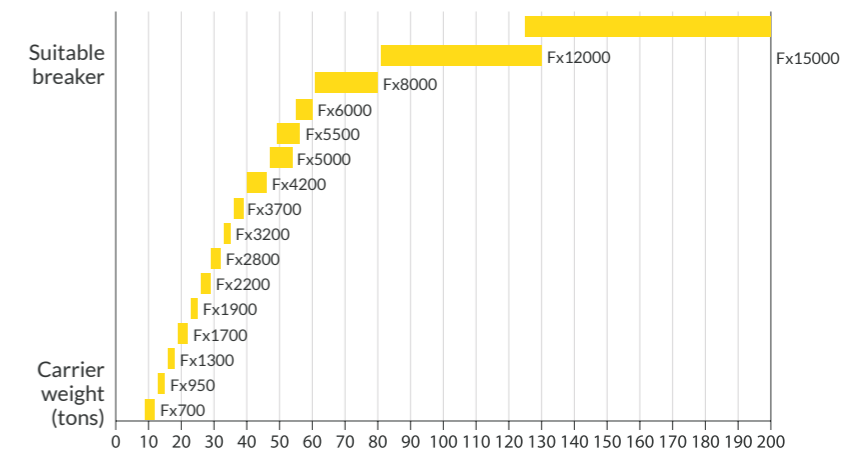
Recycling

### TECHNICAL DRAWING



Models		FX700	FX950	FX1300	FX1700	FX1900	Models		FX2200
Carrier weight	t	8-14	10-17	13-19	18-24	22-27	Carrier weight	t	23-31
Weight	kg	700	950	1200	1650	1850	Weight	kg	2200
Body height (a)	mm	1310	1390	1470	1670	1790	Body height (a)	mm	1840
Tool height (b)	mm	430	550	560	620	725	Tool height (b)	mm	720
Tool diameter	mm	95	115	120	135	140	Tool diameter	mm	150
Required oil supply	l/min	70-100	90-120	110-140	130-160	140-180	Required oil supply	l/min	165-190
Oil hammer pressure	bar	160	165	170	180	180	Oil hammer pressure	bar	180
Blows per minute	/min	600-900	600-900	400-900	400-800	400-800	Blows per minute	/min	400-800
Energy per blow	j	2000	2600	3200	4200	4700	Energy per blow	j	5400
Max. Back pressure	bar	25	25	25	25	25	Max. Back pressure	bar	25
Inner diam. in hose	inch	3/4"	1"	1"	1"	1"	Inner diam. in hose	inch	1"
Inner diam. out hose	inch	3/4"	1"	1"	1"	1"	Inner diam. out hose	inch	1" 1/4

### EXCAVATOR OPTIMAL RANGE



All illustrations and numerical data in this catalog are purely indicative and subject to change at our discretion and without notice. We therefore reserve the right to modify them with a view to improving and continuously developing our product.

# HAMMER HYDRAULIC BREAKERS

for excavators from 8 to 200 ton

## Efficiency becomes power

- Tubes with swivels fully protected
- Operating pressure adjustment
- Anti-dust and underwater work setup
- Automatic hydraulic greasing device
- Hydraulic system for blank firings
- Manual blow adjustment
- Anti-dust system for tunnels



# FX SERIES

### Application Fields



Mining & Quarrying



Demolition & Renovation



Construction



Metallurgical Industry



Recycling

### TECHNICAL DRAWING



Models		FX2800	FX3200	FX3700	FX4200	FX5000	NEW FX5500	Models		FX6000	FX8000	FX12000	FX15000
		Carrier weight	t	28-38	30-40	35-50	36-55	40-55		40-65	Carrier weight	t	45-75
Weight	kg	2900	3200	3700	4400	4800	5200	Weight	kg	5800	7800	12000	14500
Body height (a)	mm	2030	2030	2250	2250	2300	3000	Body height (a)	mm	3200	3700	4440	4570
Tool height (b)	mm	710	710	790	790	790	700	Tool height (b)	mm	700	800	760	930
Tool diameter	mm	160	160	180	180	180	195	Tool diameter	mm	195	215	255	280
Required oil supply	l/min	180-240	200-260	250-300	270-320	270-320	290-350	Required oil supply	l/min	300-380	380-440	480-570	500-600
Oil hammer pressure	bar	180	180	180	190	190	190	Oil hammer pressure	bar	190	190	190	190
Blows per minute	/min	350-700	300-650	300-650	300-650	350-700	250-550	Blows per minute	/min	250-550	200-400	150-300	150-250
Energy per blow	j	8500	9000	9500	12500	13500	16500	Energy per blow	j	18500	23000	28000	35000
Max. Back pressure	bar	25	25	25	25	25	30	Max. Back pressure	bar	30	30	30	30
Inner diam. in hose	inch	1" 1/4	1" 1/4	1" 1/4	1" 1/4	1" 1/4	1" 1/4	Inner diam. in hose	inch	1" 1/4	1" 1/4	1" 1/2	1" 1/2
Inner diam. out hose	inch	1" 1/4	1" 1/4	1" 1/4	1" 1/4	1" 1/4	1" 1/4	Inner diam. out hose	inch	1" 1/4	1" 1/4	1" 1/2	1" 1/2



All illustrations and numerical data in this catalog are purely indicative and subject to change at our discretion and without notice. We therefore reserve the right to modify them with a view to improving and continuously developing our product.

# EARTH DRILLS

for excavators from 1 to 22 ton

## Drilling has no limits!

- Forged hood ears.
- Epicyclic gearbox.
- High quality hydraulic motors.
- Non-dislodgement shaft.



Find out more



STUMP PLANER



SMALL MIXER BOWL



BIG MIXER BOWL



LOG-SPLITTER



# X SERIES

## Application Fields



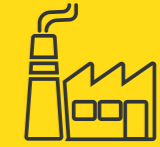
Mining & Quarrying



Demolition & Renovation



Construction



Metallurgical Industry



Recycling

Models		X1500	X2000	X2500	X3000	X3500	X4500	X5500
Carrier weight	t	1-2	1-2.5	1.5-3	2-4	2.5-4.5	3-5	4.5-6
Unit Weight	kg	46	47	48	71	73	75	108
Torque range	Nm	511-1496	539-2190	830-2847	959-2877	1205-3614	1574-4721	1685-5477
Oil pressure range	bar	70-205	70-240	70-240	80-240	80-240	80-240	80-260
Oil flow range	l/min	20-45	25-57	27-65	27-75	40-85	50-95	40-115
Speed range	rpm	44-98	43-99	36-87	36-100	42-90	40-77	30-87
Unit height	mm	585	585	585	665	665	665	780
Unit diameter	mm	200	200	200	244	244	244	269
Augers		S4	S4	S4	S4	S4	S4	S5
Augers diameter	mm	100-400	100-450	100-500	100-600	100-750	100-900	150-750

Models		X7000	X8000	X12000	X15000	X20000	X25000
Carrier weight	t	5-7	6-8	8-13	10-15	13-20	15-22
Unit Weight	kg	112	116	172	173	268	269
Torque range	Nm	2133-6931	2717-8152	3998-11995	5024-15071	13043-19564	16503-24755
Oil pressure range	bar	80-260	80-240	80-240	80-240	160-240	160-240
Oil flow range	l/min	60-135	70-150	80-170	80-170	80-170	80-170
Speed range	rpm	36-81	33-70	25-54	20-43	16-33	12-26
Unit height	mm	780	780	930	930	1130	1130
Unit diameter	mm	269	269	290	290	345	345
Augers		S5	S5	S6	S6	S6	S6
Augers diameter	mm	150-900	150-1200	150-1000	150-1200	150-1200	150-1500

\*All illustrations and numerical data in this catalog are purely indicative and subject to change at our discretion and without notice. We therefore reserve the right to modify them with a view to improving and continuously developing our product.

# EARTH DRILLS

for excavators from 1 to 22 ton

## Drilling has no limits!

- Forged hood ears.
- Epicyclic gearbox.
- High quality hydraulic motors.
- Non-dislodgement shaft.



# X SERIES

### Application Fields



Mining & Quarrying



Demolition & Renovation



Construction



Metallurgical Industry



Recycling

### AUGERS S4

- Auger - S4 - 100mm Tungsten - Length 1200mm
- Auger - S4 - 150mm Tungsten - Length 1200mm
- Auger - S4 - 200mm Tungsten - Length 1200mm
- Auger - S4 - 225mm Tungsten - Length 1200mm
- Auger - S4 - 250mm Tungsten - Length 1200mm
- Auger - S4 - 300mm Tungsten - Length 1200mm
- Auger - S4 - 350mm Tungsten - Length 1200mm
- Auger - S4 - 400mm Tungsten - Length 1200mm
- Auger - S4 - 450mm Tungsten - Length 1200mm
- Auger - S4 - 500mm Tungsten - Length 1200mm
- Auger - S4 - 600mm Tungsten - Length 1200mm
- Auger - S4 - 750mm Tungsten - Length 1200mm
- Auger - S4 - 800mm Tungsten - Length 1200mm
- Auger - S4 - 900mm Tungsten - Length - 1200mm

### AUGERS S5

- Auger S5 - 150mm - Tungsten - Length 1500mm
- Auger S5 - 200mm - Tungsten - Length 1500mm
- Auger S5 - 225mm - Tungsten - Length 1500mm
- Auger S5 - 250mm - Tungsten - Length 1500mm
- Auger S5 - 300mm - Tungsten - Length 1500mm
- Auger S5 - 350mm - Tungsten - Length 1500mm
- Auger S5 - 400mm - Tungsten - Length 1500mm
- Auger S5 - 450mm - Tungsten - Length 1500mm
- Auger S5 - 500mm - Tungsten - Length 1500mm
- Auger S5 - 600mm - Tungsten - Length 1500mm
- Auger S5 - 750mm - Tungsten - Length 1500mm
- Auger S5 - 800mm - Tungsten - Length 1500mm
- Auger S5 - 900mm - Tungsten - Length 1500mm
- Auger S5 - 1000mm - Tungsten - Length 1500mm

### AUGERS S6

- Auger - S6 - 150mm - Tungsten - Length 1875mm
- Auger - S6 - 200mm - Tungsten - Length 1875mm
- Auger - S6 - 225mm - Tungsten - Length 1875mm
- Auger - S6 - 250mm - Tungsten - Length 1875mm
- Auger - S6 - 300mm - Tungsten - Length 1875mm
- Auger - S6 - 350mm - Tungsten - Length 1875mm
- Auger - S6 - 400mm - Tungsten - Length 1875mm
- Auger - S6 - 450mm - Tungsten - Length 1875mm
- Auger - S6 - 500mm - Tungsten - Length 1875mm
- Auger - S6 - 600mm - Tungsten - Length 1875mm
- Auger - S6 - 750mm - Tungsten - Length 1875mm
- Auger - S6 - 800mm - Tungsten - Length 1875mm
- Auger - S6 - 900mm - Tungsten - Length 1875mm
- Auger - S6 - 1000mm - Tungsten - Length 1875mm
- Auger - S6 - 1200mm - Tungsten - Length 1875mm
- Auger - S6 - 1500mm - Tungsten - Length 1875mm

### EXTENSIONS for S4

- Extension - S4 - Length 500mm
- Extension - S4 - Length 1000mm

### EXTENSIONS for S5

- Extension - S5 - Length 1000mm
- Extension - S5 - Length 1500mm
- Extension - S5 - Length 2000mm
- Extension - S5 - Length 2500mm

### EXTENSIONS for S6

- Extension - S6 - Length 1000mm
- Extension - S6 - Length 1500mm
- Extension - S6 - Length 2000mm
- Extension - S6 - Length 2500mm
- Extension - S6 - Length 3000mm

\*All illustrations and numerical data in this catalog are purely indicative and subject to change at our discretion and without notice. We therefore reserve the right to modify them with a view to improving and continuously developing our product.

# DEMOLITION ROTATING PULVERIZERS

for excavators from 3 to 55 ton



Find out more



## Designed to last!

- Double motors for an excellent rotation and high power
- Integrated "relief" valve to avoid pressure peaks on the rotating motor
- Double-turn ball bearing (from model FRK17 up)
- Designed and built to achieve high crushing force



THE ROTARY PULVERIZERS OF THE NEW FRK SERIES HAVE BEEN DEVELOPED FOR PRIMARY AND SECONDARY DEMOLITION.

ALL THE PARTS THAT MOSTLY UNDERGO WEARING ARE EASILY REPLACEABLE

- Excellent speed/power to weight ratio
- Cylinder fully protected from possible debris during demolition
- Plates designed to achieve an excellent crushing force

PRESSURE UP TO 350 BAR

SPEED VALVE (optional from model FRK17 up)



OPTIONAL



# FRK SERIES

### Application Fields



Mining & Quarrying



Demolition & Renovation



Construction

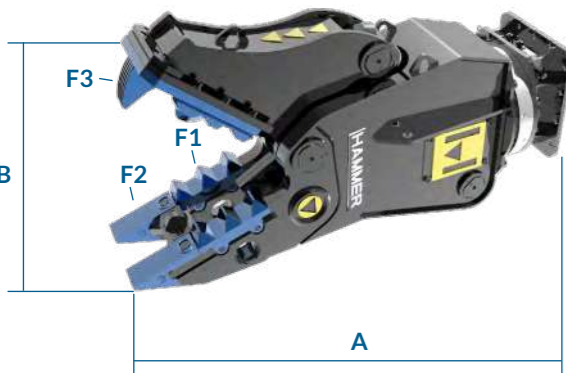


Metallurgical Industry



Recycling

### TECHNICAL DRAWING



All illustrations and numerical data in this catalog are purely indicative and subject to change at our discretion and without notice. We therefore reserve the right to modify them with a view to improving and continuously developing our product.

Models		FRK03	FRK06	FRK10	Models		FRK13	FRK17	FRK21	FRK26	FRK32	FRK42
Carrier weight	t	3-8	6-13	9-17	Carrier weight	t	12-20	14-23	16-27	20-32	26-40	32-55
Weight	kg	330	570	1000	Weight	kg	1400	1650	2000	2400	3300	4200
Excavator oil flow capacity	l/min	30-70	60-100	70-110	Excavator oil flow capacity	l/min	110-160	140-200	180-230	200-300	300-350	350-400
Excavator working pressure	bar	280	320	320	Excavator working pressure	bar	350	350	350	350	350	350
360° Rotation	°	360°	360°	360°	360° Rotation	°	360°	360°	360°	360°	360°	360°
Rotation oil flow capacity	l/min	10-25	20-40	20-40	Rotation oil flow capacity	l/min	30-60	40-60	40-60	40-60	40-60	40-60
Rotation Pressure	bar	100	100	100	Rotation Pressure	bar	140	140	140	140	140	140
A	mm	1280	1450	1620	A	mm	1900	2000	2100	2300	2500	2700
B	mm	415	520	605	B	mm	655	720	780	880	1000	1100
Steel blade length	mm	120	120	160	Steel blade length	mm	160	200	200	200	200	250
F1	t	110	130	150	F1	t	190	195	220	250	370	505
F2	t	60	65	70	F2	t	120	120	120	140	225	285
F3	t	35	40	45	F3	t	60	65	70	85	125	146
Ø Max	mm	28	30	30	Ø Max	mm	40	40	50	55	60	65

# STATIC PULVERIZERS

for excavators from 15 to 60 ton

## First quality secondary demolition

- Designed and built to achieve high crushing force



Find out more

**NEW**

PRODUCT

DESIGNED FOR SECONDARY DEMOLITION, HAMMER STATIC PULVERIZERS CAN BOTH BREAK UP REINFORCED CONCRETE STRUCTURES AND SEPARATE THE STEEL.

ALL THE PARTS THAT MOSTLY UNDERGO WEARING ARE EASILY REPLACEABLE

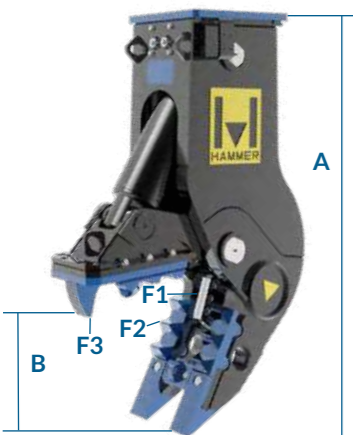


# FPK SERIES

### Application Fields



### TECHNICAL DRAWING



Models		FPK16	FPK21	FPK32	FPK42
Carrier weight	t	15-25	20-35	27-45	35-60
Weight	kg	1600	2000	3000	4000
Excavator oil flow capacity	l/min	140-200	200-250	220-280	260-340
Excavator working pressure	bar	350	350	350	350
A	mm	2090	2230	2450	2750
B	mm	745	840	980	1200
Steel blade length	mm	200	200	300	300
F1	t	240	285	355	415
F2	t	100	125	155	200
F3	t	70	80	95	110
Ø Max	mm	35	45	55	70

All illustrations and numerical data in this catalog are purely indicative and subject to change at our discretion and without notice. We therefore reserve the right to modify them with a view to improving and continuously developing our product.

# 2-CYLINDER CONCRETE CRUSHERS

for excavators from 1 to 80 ton



Find out more

## Not even the hardest job can withstand the MCK!

- Double motors for an excellent rotation and high power (MCK20 up).
- Double-turn ball bearing (MCK20 up).
- Jaws highly resistant.
- High cutting power.
- Cylinders fully protected from possible debris during demolition.



"A" JAW



MCK01



"F" JAW - CRUSHER



"S" JAW-SHEAR

# MCK SERIES

### Application Fields



Mining & Quarrying



Demolition & Renovation



Construction



Metallurgical Industry



Recycling

NEW

Models		MCK01	MCK03-A	MCK06-A	MCK03-F	MCK06-F	MCK10-F
Carrier weight	t	1-4	3-9	7-15	3-9	7-15	10-17
Weight	kg	175	300	650	300	650	1200
Closing force	t**	38	50	60	50	60	70
Jaw opening	mm	390	400	680	400	680	780
Jaw depth	mm	400	430	600	430	600	690
Width upper jaw	mm	50	40	45	40	45	50
Height	mm	900	1150	1500	1150	1500	1800
Length of cutting blades	mm	100	100	200	100	200	200
Opening/Closing Pmax	bar*	220	260	320	260	320	320
Flow	l/min	20-50	30-50	70-120	30-50	70-120	90-150
Rotation Pmax	bar	120	100	100	100	100	140
Flow	l/min	10-25	10-30	10-30	10-30	10-30	40-60
Back pressure max.	bar	-	-	-	-	-	-
Cycle time Opening/Closing	sec	1.8/2.5	1.8/2.5	2.2/3.0	1.8/2.5	2.2/3.0	2.4/3.1

Models		MCK03-S	MCK06-S
Carrier weight	t	3-9	7-15
Weight	kg	300	650
Closing force	t**	50	60
Jaw opening	mm	225	680
Jaw depth	mm	430	600
Width upper jaw	mm	40	45
Height	mm	1220	1680
Length of cutting blades	mm	100	200
Opening/Closing Pmax	bar*	260	320
Flow	l/min	30-50	70-120
Rotation Pmax	bar	100	100
Flow	l/min	10-30	10-30
Back pressure max.	bar	-	-
Cycle time Opening/Closing	sec	1.8/2.5	2.2/3.0

Models		MCK03-S	MCK06-S
Ø Max	mm	25	30
■	mm	10	25
—	mm	4	6
I	mm	70	100
H	mm	40	70

"A" JAW

All illustrations and numerical data in this catalog are purely indicative and subject to change at our discretion and without notice. We therefore reserve the right to modify them with a view to improving and continuously developing our product.



# 2-CYLINDER CONCRETE CRUSHERS

for excavators from 1 to 80 ton



Find out more



## Not even the hardest job can withstand the MCK!

- Double motors for an excellent rotation and high power (MCK20 up).
- Double-turn ball bearing (MCK20 up).
- Jaws highly resistant.
- High cutting power.
- Cylinders fully protected from possible debris during demolition.

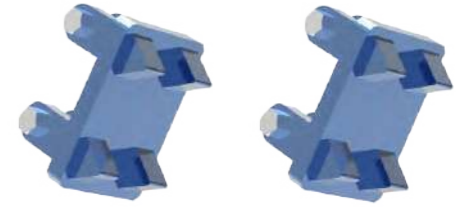


"A" JAW

USED FOR CUTTING AND CRUSHING CONCRETE WITH STEEL REINFORCEMENT AND FOR CUTTING STEEL STRUCTURES, THE HAMMER CONCRETE CRUSHER HAS BEEN DEVELOPED FOR PRIMARY AND SECONDARY DEMOLITION.



"L" JAW-WOOD CUTTER



MCK "F" Crushing kit

- Hydraulic system fully protected by the frame
- Perfect jaws geometry ensures that blades remain sharp longer
- Wearing jaws and blades easily replaceable on site
- Customized jaws are available for every customer need \*optional

# MCK SERIES

### Application Fields



Mining & Quarrying



Demolition & Renovation



Construction



Metallurgical Industry



Recycling

Models		MCK10-A	MCK15-A	NEW MCK15-L	NEW MCK15-F	MCK20-A	MCK25-A	MCK35-A
		Carrier weight	t	10-17	14-20	14-20	14-20	18-25
Weight	kg	1200	1400	1400	1400	2000	2425	3250
Closing force	t**	70	78	78	78	84	96	108
Jaw opening	mm	780	825	854	825	1000	1150	1360
Jaw depth	mm	690	780	780	780	865	935	1335
Width upper jaw	mm	50	55	55	55	60	70	80
Height	mm	1800	1980	1980	1980	2195	2390	2545
Length of cutting blades	mm	200	200	200	200	200	250	300
Opening/Closing Pmax	bar*	320	320	320	320	320	320	320
Flow	l/min	90-150	110-170	110-170	110-170	150-250	200-300	250-350
Rotation Pmax	bar	140	140	140	140	140	140	140
Flow	l/min	40-60	40-60	40-60	40-60	40-60	40-60	40-60
Back pressure max.	bar	-	-	-	-	-	-	-
Cycle time Opening/Closing	sec	2.4/3.1	2.3/3.0	2.3/3.0	2.3/3.0	2.3/3.0	2.5/3.4	3.3/3.6

OPTIONAL MCK10-A: crusher shroud kit MCK10-F

Models		MCK45-A	MCK60-A	MCK75-A
		Carrier weight	t	35-55
Weight	kg	4200	5300	6300
Closing force	t**	124	144	160
Jaw opening	mm	1500	1600	1750
Jaw depth	mm	1135	1235	1350
Width upper jaw	mm	90	100	100
Height	mm	2845	2995	3225
Length of cutting blades	mm	300	300	400
Opening/Closing Pmax	bar*	320	320	320
Flow	l/min	300-500	400-600	500-700
Rotation Pmax	bar	140	140	200
Flow	l/min	40-60	40-60	60
Back pressure max.	bar	-	-	10**
Cycle time Opening/Closing	sec	3.2/3.4	2.8/3.9	2.8/3.8



"F" JAW

All illustrations and numerical data in this catalog are purely indicative and subject to change at our discretion and without notice. We therefore reserve the right to modify them with a view to improving and continuously developing our product.

# 2-CYLINDER CONCRETE CRUSHERS

for excavators from 1 to 80 ton



Find out more



## Not even the hardest job can withstand the MCK!

- Double motors for an excellent rotation and high power (MCK20 up).
- Double-turn ball bearing (MCK20 up).
- Jaws highly resistant.
- High cutting power.
- Cylinders fully protected from possible debris during demolition.



USED FOR CUTTING AND CRUSHING CONCRETE WITH STEEL REINFORCEMENT AND FOR CUTTING STEEL STRUCTURES, THE HAMMER CONCRETE CRUSHER HAS BEEN DEVELOPED FOR PRIMARY AND SECONDARY DEMOLITION.

- Hydraulic system fully protected by the frame
- Perfect jaws geometry ensures that blades remain sharp longer
- Wearing jaws and blades easily replaceable on site
- Customized jaws are available for every customer need \*optional

# MCK SERIES

"C" JAW

### Application Fields



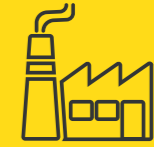
Mining & Quarrying



Demolition & Renovation



Construction



Metallurgical Industry



Recycling

Models		MCK10-C	MCK15-C	MCK20-C	MCK25-C	MCK35-C	MCK45-C
Carrier weight	t	10-17	14-20	18-25	20-35	25-45	35-55
Weight	kg	1200	1400	2100	2425	3300	4320
Closing force	t**	70	78	84	96	108	124
Jaw opening	mm	780	825	1000	1150	1360	1500
Jaw depth	mm	690	780	865	935	1335	1135
Width upper jaw	mm	50	55	60	70	80	90
Height	mm	1800	1980	2195	2390	2545	2845
Length of cutting blades	mm	200	200	200	250	300	300
Opening/Closing Pmax	bar*	320	320	320	320	320	320
Flow	l/min	90-150	110-170	150-250	200-300	250-350	300-500
Rotation Pmax	bar	140	140	140	140	140	140
Flow	l/min	40-60	40-60	40-60	40-60	40-60	40-60
Back pressure max.	bar	-	-	-	-	-	-
Cycle time Opening/Closing	sec	2.4/3.1	2.3/3.0	2.3/3.0	2.5/3.4	3.3/3.6	3.2/3.4

Models		MCK60-C	MCK75-C
Carrier weight	t	50-70	60-80
Weight	kg	5440	6300
Closing force	t**	144	160
Jaw opening	mm	1600	1700
Jaw depth	mm	1235	1350
Width upper jaw	mm	100	100
Height	mm	2995	3225
Length of cutting blades	mm	300	400
Opening/Closing Pmax	bar*	320	320
Flow	l/min	400-600	500-700
Rotation Pmax	bar	140	200
Flow	l/min	40-60	60
Back pressure max.	bar	-	10**
Cycle time Opening/Closing	sec	2.8/3.9	2.8/3.8



"C" JAW

All illustrations and numerical data in this catalog are purely indicative and subject to change at our discretion and without notice. We therefore reserve the right to modify them with a view to improving and continuously developing our product.

# 2-CYLINDER CONCRETE CRUSHERS

for excavators from 1 to 80 ton



Find out more



## Not even the hardest job can withstand the MCK!

- Double motors for an excellent rotation and high power (MCK20 up).
- Double-turn ball bearing (MCK20 up).
- Jaws highly resistant.
- High cutting power.
- Cylinders fully protected from possible debris during demolition.



USED FOR CUTTING AND CRUSHING CONCRETE WITH STEEL REINFORCEMENT AND FOR CUTTING STEEL STRUCTURES, THE HAMMER CONCRETE CRUSHER HAS BEEN DEVELOPED FOR PRIMARY AND SECONDARY DEMOLITION.



- Hydraulic system fully protected by the frame
- Perfect jaws geometry ensures that blades remain sharp longer
- Wearing jaws and blades easily replaceable on site
- Customized jaws are available for every customer need \*optional

# MCK SERIES

"D" JAW

### Application Fields



Mining & Quarrying



Demolition & Renovation



Construction



Metallurgical Industry



Recycling

Models		NEW MCK20-D	NEW MCK25-D	NEW MCK35-D	NEW MCK45-D	NEW MCK60-D	NEW MCK75-D
Carrier weight	t	18-25	20-35	25-45	35-55	50-70	60-80
Weight	kg	2100	2425	3300	4320	5440	6300
Closing force	t**	84	96	108	124	144	160
Jaw opening	mm	980	1125	1355	1490	1565	1710
Jaw depth	mm	865	935	1335	1135	1235	1350
Width upper jaw	mm	60	70	80	90	100	100
Height	mm	2195	2390	2545	2845	2995	3225
Length of cutting blades	mm	200	250	300	300	300	400
Opening/Closing Pmax	bar*	320	320	320	320	320	320
Flow	l/min	150-250	200-300	250-350	300-500	400-600	500-700
Rotation Pmax	bar	140	140	140	140	140	200
Flow	l/min	40-60	40-60	40-60	40-60	40-60	60
Back pressure max.	bar	-	-	-	-	-	10**
Cycle time Opening/Closing	sec	2.3/3.0	2.5/3.4	3.3/3.6	3.2/3.4	2.8/3.9	2.8/3.8



"D" JAW

All illustrations and numerical data in this catalog are purely indicative and subject to change at our discretion and without notice. We therefore reserve the right to modify them with a view to improving and continuously developing our product.

# ROTATING PULVERIZERS

for excavators from 1.5 to 32 ton

## No limits to demolition

- Rotation 360°
- Integrated "relief" valve to avoid pressure peaks on the rotating motor
- Double-turn ball bearing (from model FR15 up)
- Double motor for extra power and precision (from model FR15 up)
- Excellent speed/power to weight ratio
- Cylinder fully protected from possible debris during demolition
- Designed and built to achieve more power



Find out more

THE ROTARY PULVERIZERS OF THE NEW FR SERIES HAVE BEEN DEVELOPED FOR PRIMARY AND SECONDARY DEMOLITION. THE JAWS ARE DESIGNED FOR EACH APPLICATION AREA.

ALL THE PARTS THAT MOSTLY UNDERGO WEARING ARE EASILY REPLACEABLE



PRESSURE UP TO 300 BAR  
SPEED VALVE (optional from model FR15 up)



# FR SERIES

### Application Fields



Mining & Quarrying



Demolition & Renovation



Construction

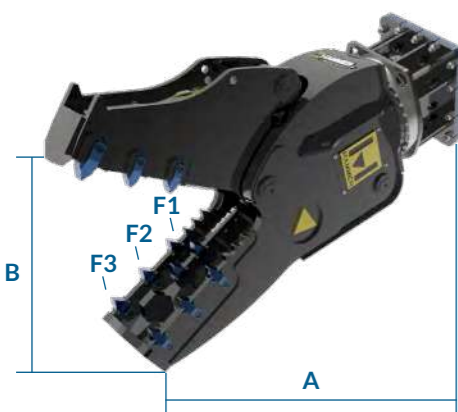


Metallurgical Industry



Recycling

### TECHNICAL DRAWING



All illustrations and numerical data in this catalog are purely indicative and subject to change at our discretion and without notice. We therefore reserve the right to modify them with a view to improving and continuously developing our product.

Models		FR02	FR04	FR07	FR09
Carrier weight	t	1.5-4	5-10	8-13	11-15
Weight	kg	220	550	790	950
Excavator oil flow capacity	l/min	20-50	50-70	60-100	70-110
Excavator working pressure	bar	250	280	300	300
360° Rotation	°	360°	360°	360°	360°
Rotation oil flow capacity	l/min	5-8	5-8	5-8	5-8
Rotation Pressure	bar	70	100	100	100
A	mm	1050	1400	1570	1600
B	mm	355	440	600	650
Steel blade length	mm	160	160	160	160
F1	t	80	100	115	140
F2	t	40	50	55	65
F3	t	25	30	35	40
Ø Max	mm	20	20	25	25

Models		FR12	FR15	FR21	FR26
Carrier weight	t	14-18	16-22	18-27	24-32
Weight	kg	1450	1700	2050	2500
Excavator oil flow capacity	l/min	110-160	140-200	180-230	200-300
Excavator working pressure	bar	300	300	300	300
360° Rotation	°	360°	360°	360°	360°
Rotation oil flow capacity	l/min	20-25	20-30	20-30	20-30
Rotation Pressure	bar	70	70	70	70
A	mm	1850	1950	2200	2300
B	mm	680	710	800	920
Steel blade length	mm	200	200	200	200
F1	t	180	195	234	250
F2	t	110	120	135	140
F3	t	57	65	80	85
Ø Max	mm	35	40	45	50



# STATIC PULVERIZERS

for excavators from 3 to 40 ton

## First quality secondary demolition

- Cylinder fully protected from possible debris during demolition
- Wear parts are replaceable on site
- Speed valve \*optional
- Designed and built to achieve high crushing force



Find out more

DESIGNED FOR SECONDARY DEMOLITION, HAMMER STATIC PULVERIZERS CAN BOTH BREAK UP REINFORCED CONCRETE STRUCTURES AND SEPARATE THE STEEL.

ALL THE PARTS THAT MOSTLY UNDERGO WEARING ARE EASILY REPLACEABLE



PRESSURE UP TO 300 BAR

SPEED VALVE



OPTIONAL

# FP SERIES

### Application Fields



Mining & Quarrying



Demolition & Renovation



Construction

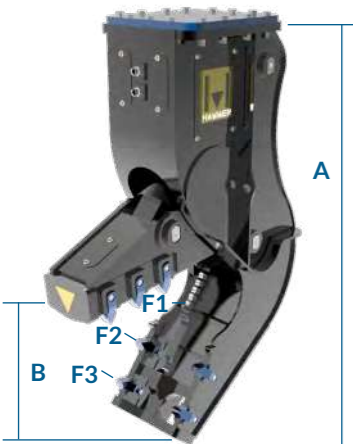


Metallurgical Industry



Recycling

### TECHNICAL DRAWING



Models		FP05	FP10	FP16	FP22
Carrier weight	t	3-8	8-13	13-22	16-25
Weight	kg	360	900	1450	2150
Excavator oil flow capacity	l/min	20-70	70-110	140-200	200-250
Excavator working pressure	bar	250	280	300	300
A	mm	1280	1650	2100	2500
B	mm	400	520	680	850
Steel blade length	mm	160	160	200	200
F1	t	90	115	165	180
F2	t	40	50	70	85
F3	t	25	35	55	60
Ø Max	mm	25	25	30	40

Models		FP26	FP32
Carrier weight	t	20-32	33-40
Weight	kg	2650	2950
Excavator oil flow capacity	l/min	200-300	220-300
Excavator working pressure	bar	300	300
A	mm	2700	2800
B	mm	875	940
Steel blade length	mm	300	300
F1	t	200	245
F2	t	85	110
F3	t	70	85
Ø Max	mm	40	50

All illustrations and numerical data in this catalog are purely indicative and subject to change at our discretion and without notice. We therefore reserve the right to modify them with a view to improving and continuously developing our product.



# HYDRAULIC SCRAP SHEARS

for excavators from 2 to 100 ton



Find out more



## Scraps are running out of time...

- Extremely high cutting power and optimal performance/weight ratio.
- Double motors for an excellent rotation and high power.
- Cylinder fully protected from possible debris during demolition.
- Body and jaws made of wear resistant steel.
- Double-turn ball bearing (from model KSC22 up).
- Strong jaw guiding system.
- Blades made of indexable steel 4 or 8 times.



THE HAMMER KSC SCRAP SHEARS ARE DESIGNED TO ACHIEVE AN OPTIMAL POWER TO WEIGHT RATIO.

ALL THE PARTS THAT MOSTLY UNDERGO WEARING ARE EASILY REPLACEABLE

SPEED VALVE (OPTIONAL \*FROM MODEL KSC22 UP)



- Optimized pin stops
- Replaceable tip
- Specific design
- Use of more performing materials
- Rotation 360°

ENHANCED ROTATION SYSTEM (DOUBLE MOTOR WITH FILTER)



OPTIONAL

PRESSURE UP TO 350 BAR

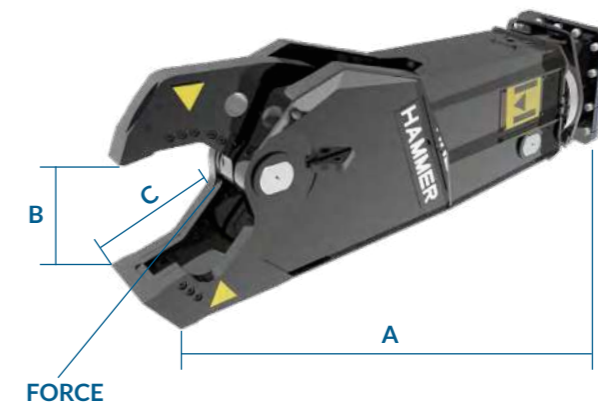
# KSC SERIES

Application Fields



Models		KSC03	KSC06	KSC11	KSC22	KSC32	KSC42	KSC52	KSC62	KSC72
Excavator weight - stick mounting	t	3-8	5-12	10-20	14-28	20-35	32-55	45-65	60-70	75-100
Excavator weight - boom mounting	t	2-5	3-8	7-14	12-21	20-30	25-40	35-55	35-40	45-55
Weight	kg	300	480	1100	2150	3100	4100	5000	6200	7900
Excavator oil flow capacity	l/min	80-100	70-100	150-200	150-250	200-300	300-400	350-450	400-500	450-600
Excavator working pressure	bar	280	250	280	320	320	350	350	350	350
360° rotation	°	360°	360°	360°	360°	360°	360°	360°	360°	360°
Rotation oil flow capacity	l/min	5	20-30	20-30	40-60	40-60	40-60	40-60	25/50	70
Rotation Pressure	bar	120	80	140	140	140	140	140	140	140
A	mm	1330	1880	2210	2570	2720	3050	3400	3905	4190
B	mm	265	350	430	490	570	620	660	780	845
C	mm	230	348	480	470	490	540	585	690	710
Cutting Force**	kn	1850	2750	3800	4650	6300	7550	9550	9000	12000
Ø Max	mm	25	30	45	70	90	100	110	125	135
■	mm	22	25	35	60	80	90	100	110	120
—	mm	5	6	10	15	20	22	25	28	30
I	mm	80	100	200	300	400	450	500	550	600
H	mm	60	70	140	200	260	280	310	330	350

## TECHNICAL DRAWING



\*All illustrations and numerical data in this catalog are purely indicative and subject to change at our discretion and without notice. We therefore reserve the right to modify them with a view to improving and continuously developing our product.



# ORANGE PEEL GRABS

for excavators from 16 to 22 ton



Find out more

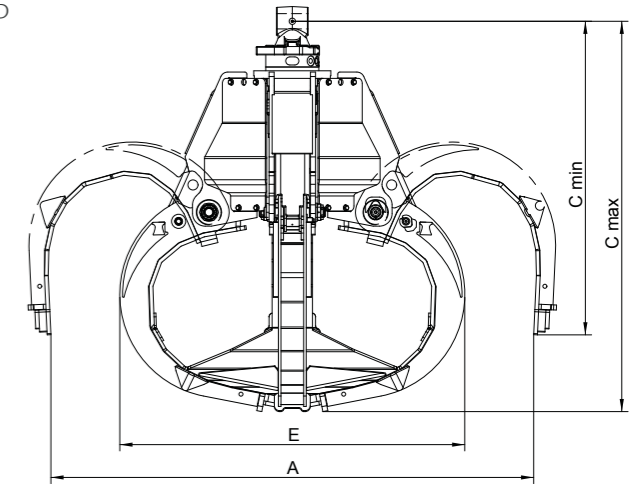
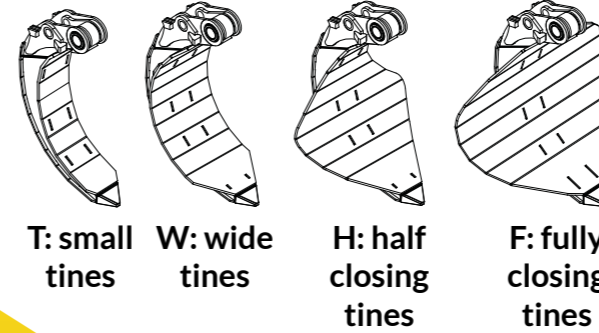


## Grab without limits!

- 4 tines version available with pointed tines.
- With 5 tines available in 4 different tine profiles:
  - F: fully closing tines
  - H: half closing tines
  - W: wide style of pointed tines
  - T: pointed tines
- Hydraulic cylinders are fitted with replaceable piston rod protection.
- Oil distribution and hydraulic hoses are protected in the centre section.
- Shell bearings with high resistant steel bushings and hardened, ground pins.



- Shell tips made of 500HB cutting edge material, exchangeable individually as wear parts.
- Closing force 17kN/3740lbf at an operating pressure of 35 MPa/5070psi, varies depending on width.
- Non-return valve is optionally available.



# P22V SERIES

### Application Fields



Models		450-4T	450-5F	450-5H	450-5W	450-5T
Carrier weight	t	16-22	16-22	16-22	16-22	16-22
Weight	kg	810	1145	1035	970	950
Width E (Closed)	mm	1370	1370	1370	1370	1370
Opening A	mm	1910	1910	1910	1910	1910
Height C max.	mm	1545	1545	1545	1545	1545
Height C min.	mm	1240	1240	1240	1240	1240
Volume	liter	450	450	450	450	450
Number of tines	pcs.	4	5	5	5	5
Load capacity	kg	7000	7000	7000	7000	7000

# ORANGE PEEL GRABS

for excavators from 20 to 30 ton



Find out more

**NEW**

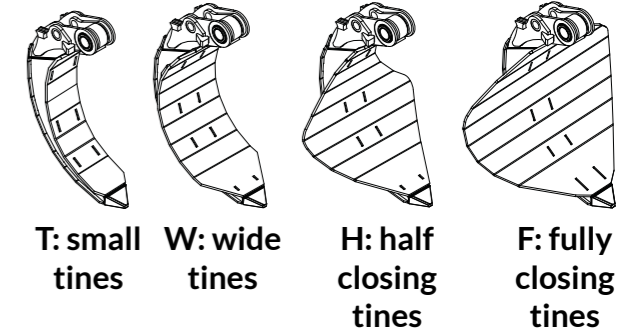
PRODUCT

## Grab without limits!

- Available in two different volumes and different tine profiles.
- Hydraulic cylinders are fitted with replaceable piston rod protection and are hydraulically cushioned.
- Oil distribution and hydraulic hoses are protected in the carrier.
- Reinforced tines made of wear-resistant steel 400HB.
- Weld-on tips made of high resistant forged and tempered steel 500HB.
- Accurate fittings eliminate tine distortion, solid end stops (open & close).



- Robust, fully integrated rotation with sturdy slewing ring with internal hoses guarantees optimum force transmission and prevents hose break. The integrated pressure relief valve protects against overcharge
- Swivel and bevel sealed. Rotary feedthrough and motor accessible directly.
- Non-return valve is optionally available.
- High closing force 27kN/5940lbf at an operating pressure of 35MPa/5070psi, varies depending on width.



# P30VHD SERIES

### Application Fields



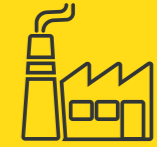
Mining & Quarrying



Demolition & Renovation



Construction



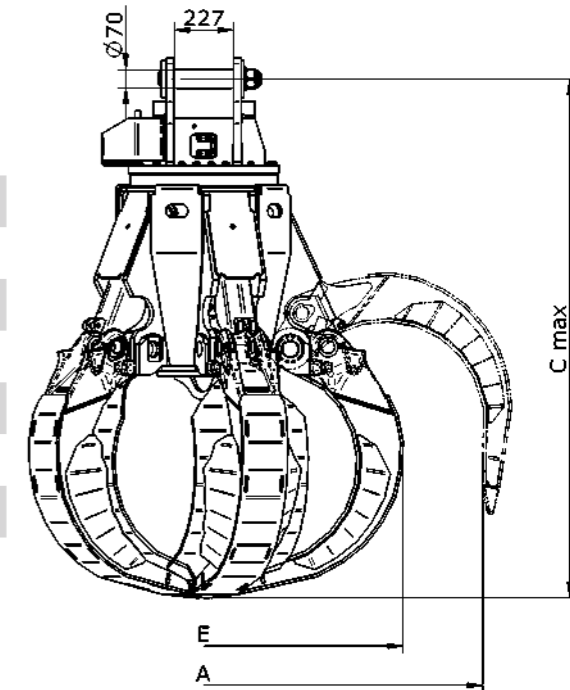
Metallurgical Industry



Recycling

Models		600-4F	600-4H	600-4W	600-4T	600-5F	600-5H	600-5W	600-5T
Carrier weight	t	20-30	20-30	20-30	20-30	20-30	20-30	20-30	20-30
Weight	kg	1600	1490	1420	1310	1780	1660	1630	1490
Width E (Closed)	mm	1520	1520	1520	1520	1520	1520	1520	1520
Opening A	mm	2130	2130	2130	2130	2130	2130	2130	2130
Height C max.	mm	1980	1980	1980	1980	1980	1980	1980	1980
Volume	liter	600	600	600	600	600	600	600	600
Number of tines	pcs.	4	4	4	4	5	5	5	5
Load capacity	kg	7000	7000	7000	7000	7000	7000	7000	7000

Models		800-5F	800-5H	800-5W	800-5T
Carrier weight	t	20-30	20-30	20-30	20-30
Weight	kg	1830	1730	1670	1520
Width E (Closed)	mm	1525	1525	1525	1525
Opening A	mm	2290	2290	2290	2290
Height C max.	mm	2065	2065	2065	2065
Volume	liter	800	800	800	800
Number of tines	pcs.	5	5	5	5
Load capacity	kg	7000	7000	7000	7000



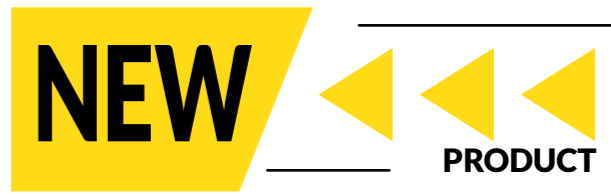


# ORANGE PEEL GRABS

for excavators from 30 to 40 ton



Find out more

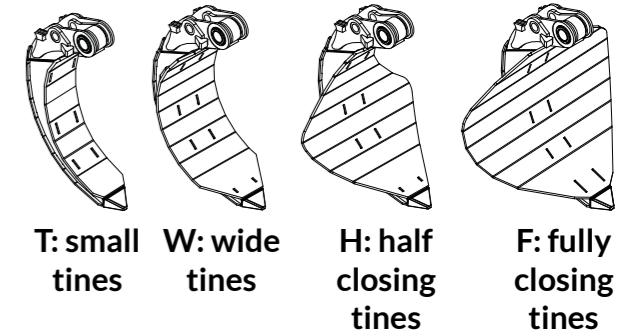


## Grab without limits!

- Available in two different volumes and different tine profiles.
- Hydraulic cylinders are fitted with replaceable piston rod protection and are hydraulically cushioned.
- Oil distribution and hydraulic hoses are protected in the carrier.
- Reinforced tines made of wear-resistant steel 400HB.
- Weld-on tips made of high resistant forged and tempered steel 500HB.
- Accurate fittings eliminate tine distortion, solid end stops (open & close).



- Reinforced bolts, large bearing surface for bolts, specially coated solid steel bushings.
- Robust, fully integrated rotation with sturdy slewing ring with internal hoses guarantees optimum force transmission and prevents hose break. The integrated pressure relief valve protects against overcharge.
- Swivel and bevel sealed. Rotary feedthrough and motor accessible directly.
- Non-return valve is optionally available.
- High closing force 38 kN/8360lbf at an operating pressure of 35MPa/5070psi, varies depending on width.



# P40VHD SERIES

### Application Fields



Mining & Quarrying



Demolition & Renovation



Construction



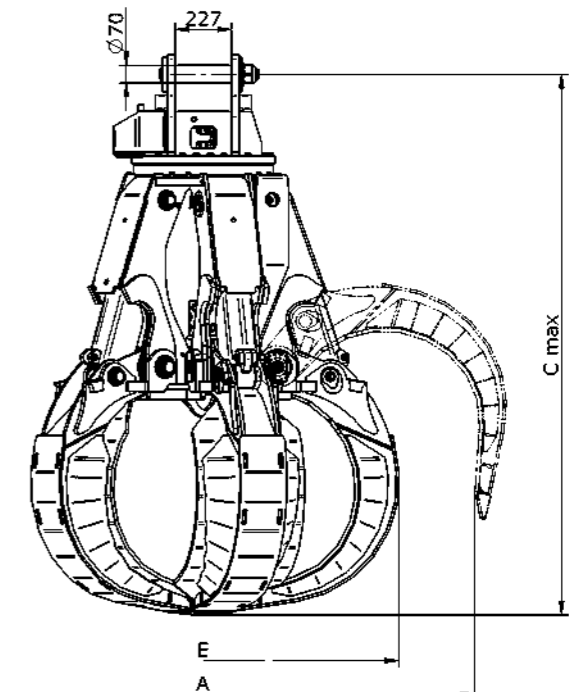
Metallurgical Industry



Recycling

Models		600-5H	600-5W	600-5T	800-4W	800-4T	800-5F	800-5H	800-5W
Carrier weight	t	30-40	30-40	30-40	30-40	30-40	30-40	30-40	30-40
Weight	kg	1870	1900	1730	1680	1530	2140	1965	1965
Width E (Closed)	mm	1430	1430	1430	1545	1545	1560	1560	1560
Opening A	mm	2200	2200	2200	2165	2165	2190	2190	2190
Height C max. (Closed)	mm	2170	2170	2170	2170	2170	2170	2170	2170
Volume	liter	600	600	600	800	800	800	800	800
Number of tines	pcs.	5	5	5	4	4	5	5	5
Load capacity	kg	10000	10000	10000	10000	10000	10000	10000	10000

Models		800-5T
Carrier weight	t	30-40
Weight	kg	1775
Width E (Closed)	mm	1560
Opening A	mm	2190
Height C max. (Closed)	mm	2170
Volume	liter	800
Number of tines	pcs.	5
Load capacity	kg	10000



# ORANGE PEEL GRABS

for excavators from 36 to 50 ton



Find out more

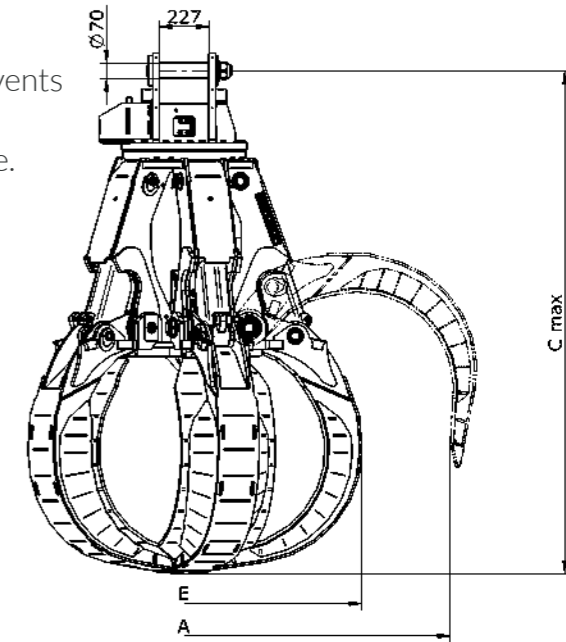
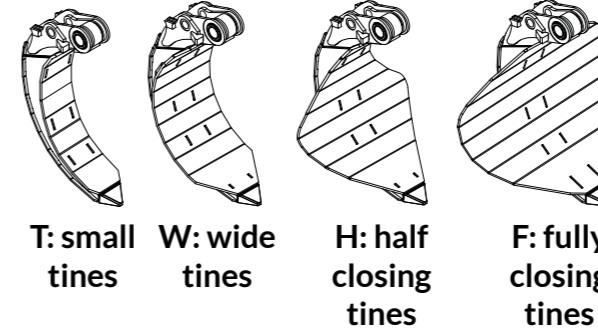


## Grab without limits!

- With 4 or 5 tines in different forms F, H, W, T.
- Hydraulic cylinders are fitted with replaceable piston rod protection and are hydraulically cushioned.
- Oil distribution and hydraulic hoses are protected in the carrier.
- Reinforced tines made of wear-resistant steel 400HB.
- Weld-on tips made of high resistant forged and tempered steel 500HB.
- Accurate fittings eliminate tine distortion, solid end stops (open & close).



- Reinforced bolts, large bearing surface for bolts, specially coated solid steel bushings.
- Robust, fully integrated rotation with sturdy slewing ring with internal hoses guarantees optimum force transmission and prevents hose break.
- The integrated pressure relief valve protects against overcharge.
- Non-return valve is optionally available



# P51VHD SERIES

### Application Fields



Mining & Quarrying



Demolition & Renovation



Construction



Metallurgical Industry



Recycling

Models		1000-4W	1000-4T	1000-5F	1000-5H	1000-5W	1000-5T	1250-5H	1250-5W
Carrier weight	t	36-50	36-50	36-50	36-50	36-50	36-50	36-50	36-50
Weight	kg	1740	1570	2165	2100	2050	1830	2200	2150
Width E (Closed)	mm	1610	1610	1630	1630	1630	1630	1830	1830
Opening A	mm	2410	2410	2440	2440	2440	2440	2650	2650
Height C max. (Closed)	mm	2200	2200	2200	2200	2200	2200	2415	2415
Volume	liter	1000	1000	1000	1000	1000	1000	1250	1250
Number of tines	pcs.	4	4	5	5	5	5	5	5
Load capacity	kg	10000	10000	10000	10000	10000	10000	10000	10000

Models		1500-4H	1500-4W	1500-5F	1500-5H	1500-5W	1500-5T
Carrier weight	t	36-50	36-50	36-50	36-50	36-50	36-50
Weight	kg	1980	1880	2360	2300	2200	1970
Width E (Closed)	mm	1870	1870	1870	1870	1870	1870
Opening A	mm	2830	2830	2830	2830	2830	2830
Height C max. (Closed)	mm	2500	2500	2500	2500	2500	2500
Volume	liter	1500	1500	1500	1500	1500	1500
Number of tines	pcs.	4	4	5	5	5	5
Load capacity	kg	10000	10000	10000	10000	10000	10000

# ORANGE PEEL GRABS

for excavators from 50 to 80 ton



Find out more

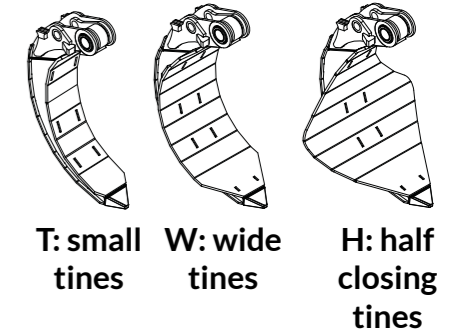


## Grab without limits!

- With 3 different volumes and shell forms H, W and T.
- Hydraulic cylinders are fitted with replaceable piston rod protection and are hydraulically cushioned.
- Oil distribution and hydraulic hoses are protected in the carrier.
- Reinforced tines made of wear-resistant steel 400HB.
- Weld-on tips made of high resistant forged and tempered steel 500HB.
- Accurate fittings eliminate tine distortion, solid end stops (open & close).



- Reinforced bolts, large bearing surface for bolts, specially coated solid steel bushings.
- Robust, fully integrated rotation with sturdy slewing ring with internal hoses guarantees optimum force transmission and prevents hose break. The integrated pressure relief valve protects against overcharge.
- Non-return valve is optionally available.

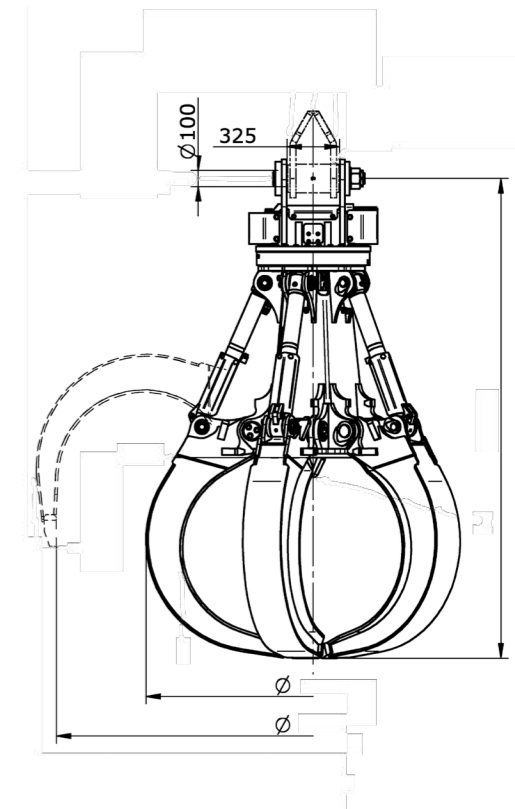


# P80VHD SERIES

### Application Fields



Models		1500-4T	2000-5H	2000-5W	2000-5T	2500-5H	2500-5W	2500-5T	3000-5H	Models	3000-5W	
Carrier weight	t	50-80	50-80	50-80	50-80	50-80	50-80	50-80	50-80	Carrier weight	t	50-80
Weight	kg	2500	3200	3000	2780	3310	3110	2890	3420	Weight	kg	3220
Width E (Closed)	mm	2010	2070	2070	2070	2200	2200	2200	2325	Width E (Closed)	mm	2325
Opening A	mm	2770	3180	3180	3180	3360	3360	3360	3540	Opening A	mm	3540
Height C max. (Closed)	mm	2770	2970	2970	2970	3065	3065	3065	3155	Height C max. (Closed)	mm	3155
Volume	liter	1500	2000	2000	2000	2500	2500	2500	3000	Volume	liter	3000
Number of tines	pcs.	4	5	5	5	5	5	5	5	Number of tines	pcs.	5
Load capacity	kg	10000	10000	10000	10000	10000	10000	10000	10000	Load capacity	kg	10000



# ORANGE PEEL GRABS

for excavators from 80 to 120 ton



Find out more

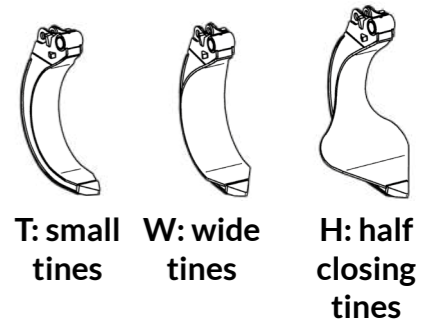


## Grab without limits!

- With 2 different volumes and 3 shell forms H, W and T.
- Hydraulic cylinders are fitted with replaceable piston rod protection and are hydraulically cushioned.
- Oil distribution and hydraulic hoses are protected in the carrier.
- Reinforced tines made of wear-resistant steel 400HB.
- Weld-on tips made of high resistant forged and tempered steel 500HB.
- Accurate fittings eliminate tine distortion, solid end stops (open & close).



- Reinforced bolts, large bearing surface for bolts, specially coated solid steel bushings.
- Robust, fully integrated rotation with sturdy slewing ring with internal hoses guarantees optimum force transmission and prevents hose break.
- The integrated pressure relief valve protects against overcharge.
- Non-return valve is optionally available

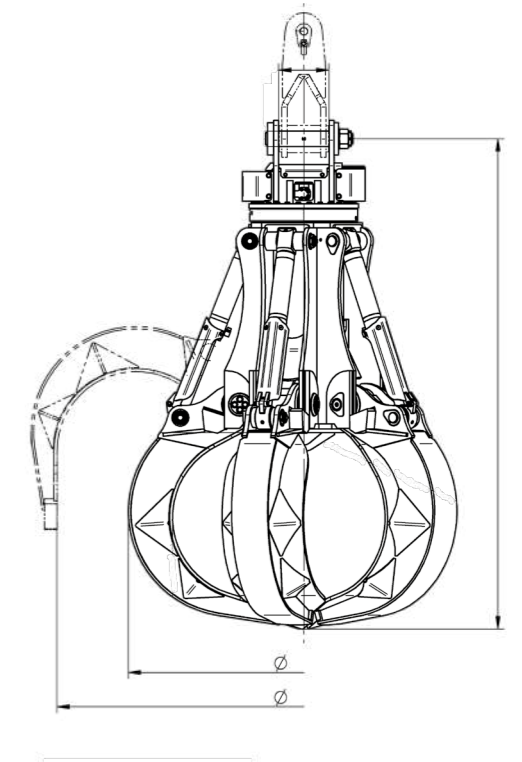


## P120VHD SERIES

### Application Fields



Models		2000-5H	2000-5W	2000-5T	3000-5H	3000-5W	3000-5T
Carrier weight	t	80-120	80-120	80-120	80-120	80-120	80-120
Weight	kg	4570	4370	4220	4700	4500	4350
Width E (Closed)	mm	2280	2280	2280	2390	2390	2390
Opening A	mm	3200	3200	3200	3910	3910	3910
Height C max. (Closed)	mm	3180	3180	3180	3350	3350	3350
Volume	liter	2000	2000	2000	3000	3000	3000
Number of tines	pcs.	5	5	5	5	5	5
Load capacity	kg	10000	10000	10000	10000	10000	10000



# MOBILE RAIL CUTTER

for excavators from 22 to 35 ton



Find out more



## Cut in the right way!

- Large heavy duty bearings for reduced bushing wear.
- Housing made of extremely resistant special steel.
- Heavy duty 360° rotation.



THE MOBILE HAMMER RAIL CUTTER RC30 IS A SPECIAL DEVELOPMENT FOR THE CONTROLLED DEMOLITION OF RAIL SYSTEMS AND FOR THE SCRAP PREPARATION OF RAILWAY LINES.

ALL CURRENT VIGNOL RAILS (FLAT BOTTOM RAILS) WITH A STANDARD QUALITY UP TO 900 N/MM2 AND A PROFILE SIZE „S7“ TO „UIC 60“ CAN BE CUT. VIGNOL RAILS IN SPECIAL QUALITIES EXCEEDING 900 N/MM2 OR WITH HEAD HARDENING ARE EXCLUDED. THE WEAR OF THE CUTTERS HIGHLY DEPENDS ON THE QUALITY OF THE RAILS.

PRESSURE UP TO 350 BAR

# RC SERIES

### Application Fields



Models		RC30
Excavator weight	t	22-35
Weight	kg	2650
A	mm	2335
B	mm	225
C	mm	190
360° rotation	°	360°
Operating pressure (open/close)	bar	350
Operating pressure (rotate)	bar	140
Back pressure	bar	5
Recommended oil flow (open/close)	l/min	150-250
Recommended oil flow (rotate)	l/min	18-25

### TECHNICAL DRAWING



*\*All illustrations and numerical data in this catalog are purely indicative and subject to change at our discretion and without notice. We therefore reserve the right to modify them with a view to improving and continuously developing our product.*



# MULTI-PURPOSE GRABS

for excavators from 1 to 52 ton



Find out more

## Grab up everything!

- Replaceable wear plates (400hb).
- Robust and fully integrated rotation.
- Relief valve for hydraulic rotation.
- Cylinder fully protected from possible debris during demolition.
- Opening/Closing lock valve \*optional.
- Kit for two hydraulic lines system (GR15-GR75) \*Optional.  
This kit can only be purchased at the moment of the order. It is not possible to add this kit after the product installation.



THE NEW MULTI PURPOSE GRABS OF GR SERIES ARE DESIGNED FOR HANDLING, RECYCLING AND SMALL DEMOLITIONS.

ALL THE PARTS THAT MOSTLY UNDERGO WEARING ARE EASILY REPLACEABLE

HIGH CLOSING FORCE



CURB HANDLING



FULL SIDE CLOSING KIT



4-GRIP KIT



TOOTHED SIDE CLOSING KIT

# GR SERIES

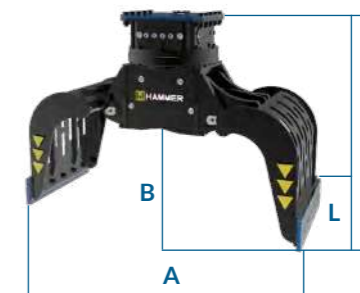
### Application Fields



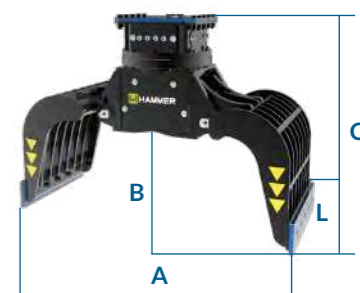
Models		NEW							
		GR10	GR15	GR25	GR45	GR75	GR100	GR150	GR210
Carrier weight	t	1-3	1.5-4	4-7	5-12	7-16	13-19	17-30	24-35
Weight + Standard Jaw	kg	93	145	240	480	700	1000	1500	1890
Weight + Demolition Jaw	kg	/	155	310	560	980	1380	1750	2030
Weight + Teeth Jaw	kg	/	155	245	480	710	1000	1510	/
Excavator oil flow capacity	l/min	14	15	20	25	45	50	75	170
Excavator working pressure	bar	180	200	250	250	250	300	300	310
360° Rotation	°	360°	360°	360°	360°	360°	360°	360°	360°
Rotation oil flow capacity	l/min	8-16	10-20	10-20	15-25	15-25	40-60	40-60	30
Rotation Pressure	bar	80	100	100	100	100	100	100	210
A	mm	700	925	1170	1500	1635	1780	1950	2400
B	mm	270	300	370	470	520	570	675	690
C	mm	680	700	825	1045	1130	1225	1550	1450
L	mm	300	400	500	600	700	800	1020	1205

Models		NEW	
		GR260	GR300
Carrier weight	t	28-45	35-50
Weight + Standard Jaw	kg	2480	2790
Weight + Demolition Jaw	kg	2715	3480
Weight + Teeth Jaw	kg	/	/
Excavator oil flow capacity	l/min	200	200
Excavator working pressure	bar	310	310
360° Rotation	°	360°	360°
Rotation oil flow capacity	l/min	30	30
Rotation Pressure	bar	210	210
A	mm	2420	2800
B	mm	700	759
C	mm	1660	1750
L	mm	1205	1500

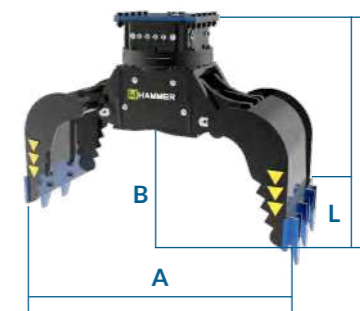
### TECHNICAL DRAWING



GR + STANDARD JAWS



GR + DEMOLITION JAWS



GR + TEETH JAWS

\*All illustrations and numerical data in this catalog are purely indicative and subject to change at our discretion and without notice. We therefore reserve the right to modify them with a view to improving and continuously developing our product.

# SCREENING BUCKET

for excavators from 1.4 to 65 ton



Find out more

**NEW**

PRODUCT

## Recycle and save!

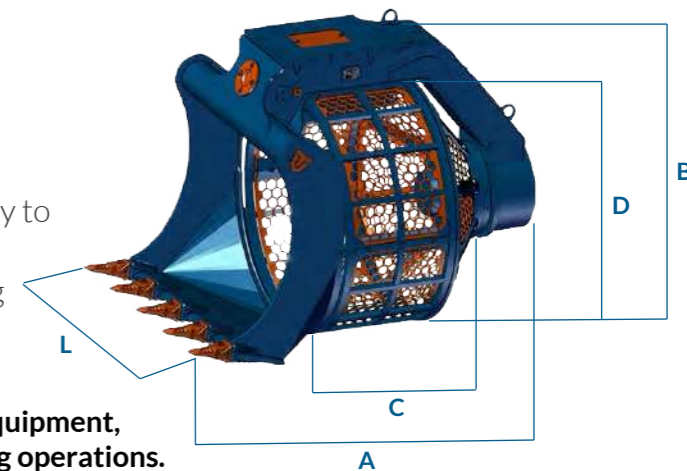
Recommended for:

- Selection of pebbles along watercourses.
- Filling of containment cages.
- Selection of waste materials after demolition.
- Reclamation of stony soils.
- Removal of stones along the beaches.
- Separation of organic waste in landfill.
- Aggregate recovery in building renovations.
- Maintenance of public and private green areas.
- Coverage of pipes in canalization works.



- Inlet profile inclined to facilitate loading of the material to be screened.
- Also available in wheel-loader version.
- Perimeter kit available in braided net or perforated sheet.
- Perimeter kit consisting of 4 bent sections bolted to the basket easily replaceable by the operator.
- From BVR12E on, the tapered bottom increases the screening surface.
- Integrated high-pressure relief valve that protects the motor against pressure peaks.
- Hydraulic components protected by the frame and easy to access for possible inspections.
- Double-turn ball bearing to fully support the screening basket.

TECHNICAL DRAWING



Extremely versatile and compact equipment, designed for selection and screening operations.

# BVR SERIES

Application Fields



Mining & Quarrying



Demolition & Renovation





Construction

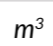



Metallurgical Industry



Recycling

Models		BVR05	BVR07	BVR08	BVR09	BVR12E
Carrier weight	t	1.4-2.8	2.5-5.5	4.5-9	7-14	12-18
Weight	kg	110	250	350	690	1320
A	mm	740	1070	1175	1480	1950
B	mm	630	805	930	1055	1460
C	mm	320	445	515	690	790
D	mm	500	640	750	840	1170
L	mm	520	700	800	900	1200
Cap. SAE	m <sup>3</sup>	0.2	0.3	0.5	0.7	1.3
	m <sup>3</sup>	0.08	0.2	0.3	0.4	0.75
Excavator working pressure	bar	100/120	100/120	100/120	100/120	220/220
Rotation oil flow capacity	l/min	20/30	30/50	30/50	50/70	40/80
	rpm	24/32	18/24	18/24	18/24	18/35

Models		BVR14E	BVR15E	BVR19E	BVR25E
Carrier weight	t	16-23	21-33	30-45	40-65
Weight	kg	1570	1810	2550	4900
A	mm	2190	2250	2600	2950
B	mm	1650	1890	2000	2410
C	mm	925	980	1040	1360
D	mm	1340	1560	1700	2000
L	mm	1400	1600	1750	2100
Cap. SAE	m <sup>3</sup>	1.7	2.1	2.8	5.3
	m <sup>3</sup>	0.9	1.1	1.5	2.7
Excavator working pressure	bar	200/220	200/220	200/220	200/220
Rotation oil flow capacity	l/min	40/80	40/80	40/80	40/80
	rpm	18/35	18/35	18/35	18/27

\*All illustrations and numerical data in this catalog are purely indicative and subject to change at our discretion and without notice. We therefore reserve the right to modify them with a view to improving and continuously developing our product.

# SCREENING BUCKET

for excavators from 3 to 14 ton



Find out more



## Recycle and save!

- Safety valve  
It protects the engine against the pressure peaks occurring during the working cycles.
- Shaft system  
All knives are made of HB400.  
Different shaft configurations realized upon request
- Patented shaft replacement system  
Thanks to the patented system, it is possible to replace shafts rapidly and modify the sieved material size, without intervening on transmission.



### OPTIONAL

- DC Teeth and DTE Teeth.
- Flow reversal valve kit.  
It makes the hydraulic flow bi-directional allowing to use the screening buckets with mono-directional system machines.
- Flowrate reducers.  
Advised for machines with oilflow higher than 70 l/min.

# V SERIES

### Application Fields



Mining & Quarrying



Demolition & Renovation



Construction

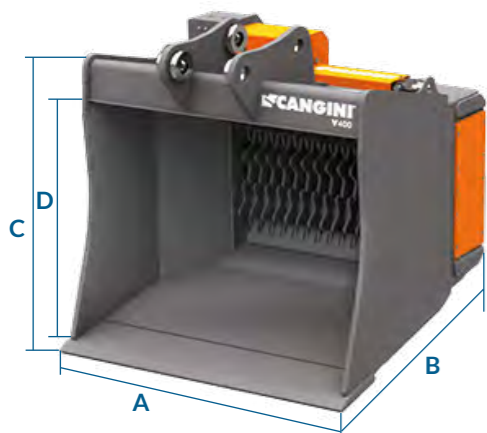


Metallurgical Industry



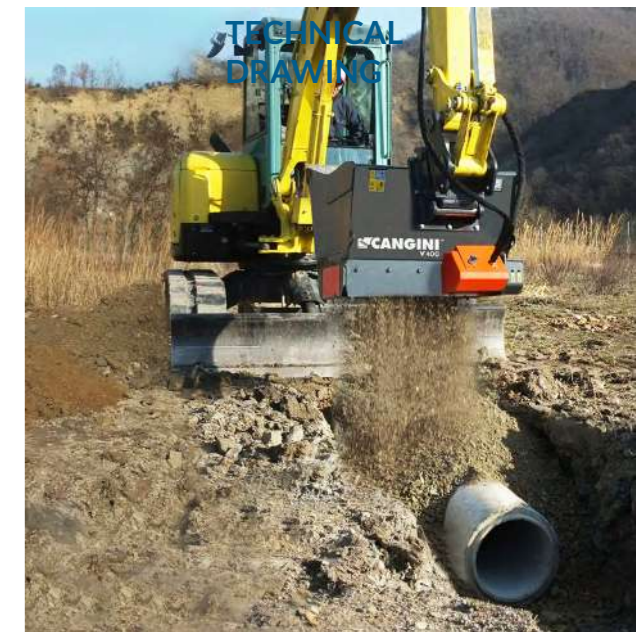
Recycling

### TECHNICAL DRAWING



Models		V400	V600
Carrier weight	t	3-5	5-7.5
Weight	kg	430	600
Weight w/o Coupler	kg	240	310
A	mm	900	900
B	mm	800	940
C	mm	660	795
D	mm	570	710
Thickness diameter	mm	0/20-0/35	0/20-0/35
Oil flowrate	l/min	40-70	40-70
Shafts	N.	2	3
Max capacity allowed	l	125	195

Models		V1000	V1200
Carrier weight	t	7.5-10	10-14
Weight	kg	1000	1410
Weight w/o Coupler	kg	520	750
A	mm	1000	1200
B	mm	1050	1100
C	mm	930	1070
D	mm	850	990
Thickness diameter	mm	0/20-0/35	0/20-0/35
Oil flowrate	l/min	60-90	80-130
Shafts	N.	3	3
Max capacity allowed	l	320	440



*\*All illustrations and numerical data in this catalog are purely indicative and subject to change at our discretion and without notice. We therefore reserve the right to modify them with a view to improving and continuously developing our product.*

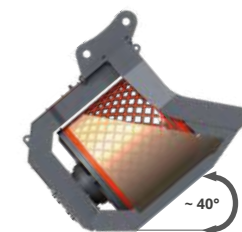


# MULTISCREENING BUCKET

for excavators from 5 to 35 ton



Find out more



## Recycle and save!

- HB400 Drums  
The drums can afford high work rates thanks to their highly resistant material that extends their service life.
- Automatic screening system  
The new rotary double drum concept with hydraulic control from the cab allows to select the material size, from 25 to 60 mm (1 - 2.4 in) and up to 65 mm (2.5 in) for the VMS20-VMS30,
- Without stopping the work cycle.



### OPTIONAL

- DC Teeth and DTE Teeth
- 6-Way solenoid valve kit  
It allows both the rotating and the hydraulic sliding movements of the sieves on machines with single and double-effect line.  
Control kit with magnets to easily put it inside the cab.



# VMS SERIES

### Application Fields



Mining & Quarrying



Demolition & Renovation



Construction

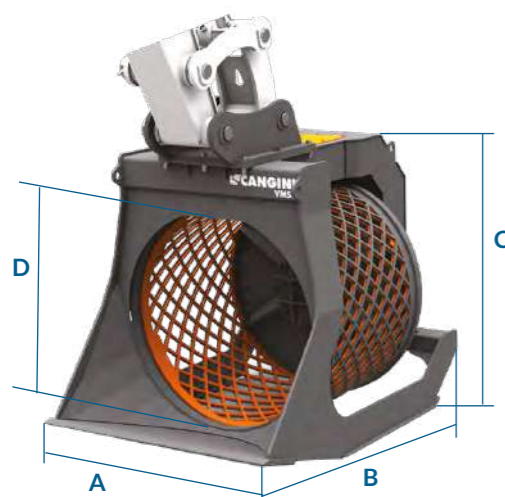


Metallurgical Industry



Recycling

### TECHNICAL DRAWING



Models		VMS7	VMS10	Models		VMS14	VMS20	VMS30
Carrier weight	t	5-7.5	7.5-10	Carrier weight	t	10-14	14-25	25-35
Weight	kg	570	750	Weight	kg	1100	2235	4990
Weight w/o Coupler	kg	372	434	Weight w/o Coupler	kg	640	1092	2300
A	mm	800	900	A	mm	1000	1250	1800
B	mm	1200	1400	B	mm	1550	1800	2300
C	mm	930	1000	C	mm	1120	1500	1950
D	mm	650	760	D	mm	870	1124	1550
Thickness diameter Min.	mm	25	25	Thickness diameter Min.	mm	25	25	25
Thickness diameter Max.	mm	60	60	Thickness diameter Max.	mm	60	65	65
Oil flowrate Min.	l/min	15	15	Oil flowrate Min.	l/min	30	30	30
Oil flowrate Max.	l/min	80	80	Oil flowrate Max.	l/min	150	150	150
Pressure	bar	350	350	Pressure	bar	350	350	350
Max capacity allowed	l	180	290	Max capacity allowed	l	420	980	2390

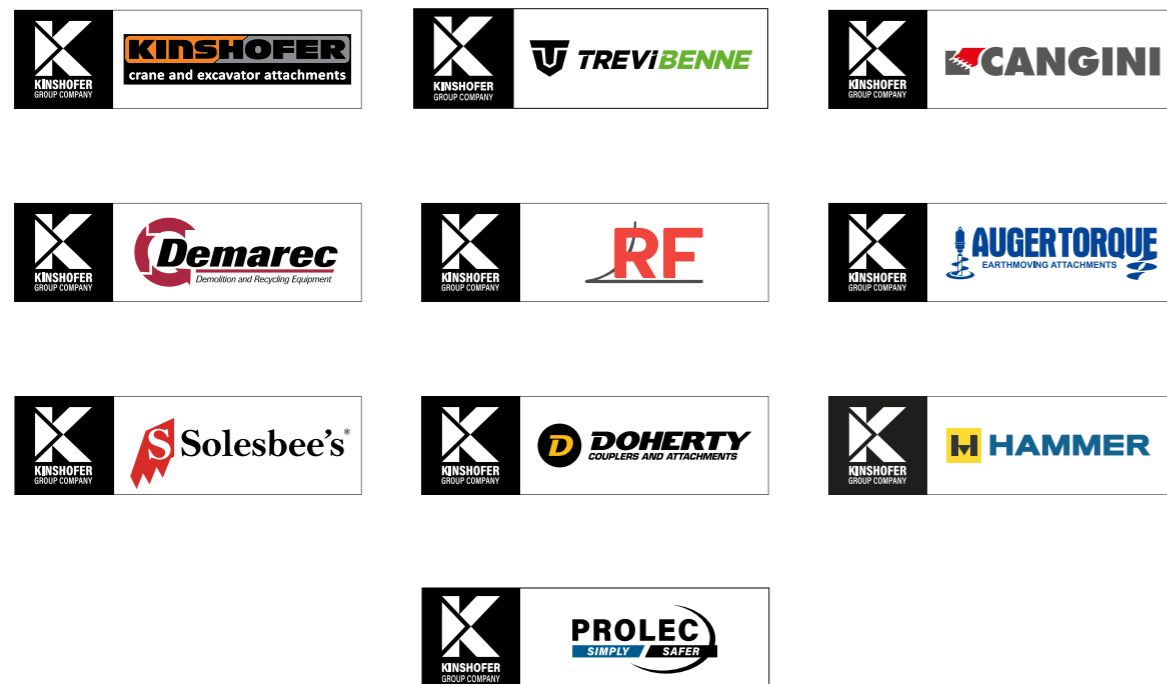


\*All illustrations and numerical data in this catalog are purely indicative and subject to change at our discretion and without notice. We therefore reserve the right to modify them with a view to improving and continuously developing our product.

# 19 COMPANIES AND 10 BRANDS



WITH  
**OUR PASSION**  
 ALWAYS  
 AT YOUR  
 SERVICE





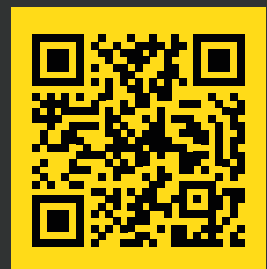
Via Oleifici  
dell'Italia Meridionale,  
Lotto G1 Z.I.

70056, Molfetta BA,  
Italy

[info@hammer europe.com](mailto:info@hammer europe.com)

T. +39 080 337 53 17

VISIT OUR WEBSITE



V4